

# Sanitary / SS Products



**SUPPORT YOUR LOCAL BUSINESSES!**

**PITANCO**  
PRECISION  
ISO 9001

[www.pitancoprecision.com](http://www.pitancoprecision.com)

191 Brossard, Delson, Quebec J5B 1W9  
450 638-5220 • 1 866-688-5220  
info@pitancoprecision.com

# TABLE OF CONTENTS

## Sanitary / SS Products

### SANITARY FITTINGS

#### CLAMPS & GASKETS

<b>Clamps</b> model CL-HD & model CL-HD-SW .....	series #13MHHM .....	Page R1
<b>Clamps</b> model CL13MHP .....	series #13MHP .....	Page R2
<b>Gaskets</b> model G-CS & model G-EPDM .....	series #40MP/42MP .....	Page R3
<b>Gaskets</b> model G-BN & model G-FKM .....	series #40MP/42MP .....	Page R4
<b>Gaskets</b> model G-PTFE .....	series #40MP/42MP .....	Page R5
<b>Flanged gaskets</b> model FG-EPDM .....	series #40MPF/42MPF .....	Page R5
<b>Flanged gaskets</b> model FG-CS & FG-BN .....	series #40MPF/42MPF .....	Page R6
<b>Clamp gasket – sizing guide</b> .....		Page R7/R8

#### BUTT-WELD

<b>Short ferrules</b> model SF .....	series #14WMP .....	Page R9
<b>Long ferrules</b> model LF .....	series #14AMP .....	Page R9
<b>45° Elbows</b> model EL45 .....	series #B2WK.....	Page R10
<b>90° Elbows</b> model EL90 .....	series #B2WC .....	Page R10
<b>180° Elbows</b> model EL180 .....	series #B2WUL .....	Page R11
<b>Crosses</b> model PB9WWWW .....	series #B9WWWW .....	Page R11
<b>Concentric reducers</b> model CR31W.....	series #B31W .....	Page R12
<b>Eccentric reducers</b> model ER32W.....	series #ER32W .....	Page R13
<b>Long tees</b> model LTB7W .....	series #B7W .....	Page R14
<b>Short tees</b> model STB7WWW.....	series #B7WWW .....	Page R14
<b>Lateral Y'S</b> model YLB28WA.....	series #B28WA.....	Page R15
<b>True Y'S</b> model YB28W.....	series #B28W .....	Page R15
<b>Adapters</b> model 19WB.....	series #19WB.....	Page R16
<b>Weld neck flanges RF150</b> model SPW-B38W.....	series #B38W .....	Page R16
<b>Dome caps</b> model RC .....	series #B16W.....	Page R17

#### TRI-CLAMP®

<b>45° Elbows</b> model PFCL45.....	series #B2KMP .....	Page R18
<b>90° Elbows</b> model PFCL90 .....	series #B2CMP .....	Page R18
<b>180° Return bends</b> model PFCL180 .....	series #B2WUMP .....	Page R19
<b>Long tees</b> model LTB7MP.....	series #B7MP.....	Page R19
<b>Concentric reducers</b> model 3114MP .....	series #B3114MP.....	Page R20
<b>Adapters</b> model CA21MP.....	series #21MP .....	Page R21
<b>Adapters</b> model CAF22MP.....	series #22MP .....	Page R22
<b>Thermometer caps</b> model THCL.....	series #23BMP .....	Page R23
<b>Adapters</b> model HB14MPHRL.....	series #HB14MPHRL.....	Page R23
<b>Solid end caps</b> model cap .....	series #16AMP.....	Page R24

#### BEVEL SEAT

<b>Short ferrules</b> model SS14PRF .....	series #14PRF .....	Page R25
<b>Long ferrules</b> model SS14A .....	series #14A .....	Page R25
<b>Short threaded ferrules</b> model SS15TRF.....	series #15TRF .....	Page R26
<b>Long threaded ferrules</b> model SS15A .....	series #15A .....	Page R26
<b>Union hex nuts</b> model BS13H.....	series #13H .....	Page R27

#### CAMLOCK

<b>Camlock couplings</b> model CAMA & model CAMB .....	series CAMA & CAMB .....	Page R28
<b>Camlock couplings</b> model CAMC & model CAMD .....	series CAMC & CAMD .....	Page R29
<b>Camlock couplings</b> model CAMDC & model CAMDP .....	series CAMDC & CAMDP .....	Page R30
<b>Camlock couplings</b> model CAME & model CAMF .....	series CAME & CAMF .....	Page R31

# TABLE OF CONTENTS

## Sanitary / SS Products

### SANITARY / SS VALVES & RELATED PRODUCTS

<b>Butterfly valves</b> model BV5101TH .....	series #B5101 .....	Page V1
<b>Seats for butterfly valves</b> .....		Page V2
<b>Butterfly valves</b> model VP5101 .....	series #VP5101 .....	Page V3
<b>Butterfly valves</b> model VP5101CL .....	series #VP5101CL .....	Page V4
<b>Butterfly valves</b> model SU30485SA .....	series #BV5101CL/SU30485SA .....	Page V5
<b>Single acting vertical canister actuator &amp; mounting bracket</b> .....	series SU304085SA.....	Page V6
<b>3 way L port ball valves</b> model BV3W .....	series #BV3W .....	Page V7
<b>Mini ball valves</b> model MBVSS25 .....	series #MBVSS25 .....	Page V7
<b>Ball valves</b> model R600 .....	series #R600 & R600HD .....	Page V8
<b>Ball valves</b> model R602 .....	series #R602 .....	Page V9
<b>Ball valves</b> model R801CL .....	series #R801CL .....	Page V10
<b>Repair kits</b> model RKR801.....		Page V10
<b>Ball valves</b> model DR801CL & seats RKDR801 .....	series #DR801CL & RKDR801.....	Page V11
<b>Check Valve</b> model CLCV .....	series #CLCV .....	Page V12
<b>Fixed spray balls</b> model BSTC .....	series #STC .....	Page V13
<b>Sight glass</b> model SG and <b>repair kits</b> .....	series #B28W .....	Page V13

### TUBING AND ACCESSORIES

<b>Stainless steel tubing</b> model A270 .....	series #A270 .....	Page T1
<b>Hexagonal tube hangers with white PVC insert</b> model P24PS....	series #P24PS .....	Page T2

# Sanitary Fittings



**PITANCO**

PRECISION

ISO 9001



## CLAMPS, HEAVY DUTY, SINGLE PIN AND STANDARD NUT MODEL CL-HD

**CLAMPS & GASKETS**



SIZE	SERVICE PRESSURE RATING @ 70°F <sup>1</sup>	DIMENSIONS as per diagram	SERIES # 13MHHM Stainless Steel 304
OD		A	PART #
0,50" & 0,75"	1500	1,062"	CL050HD
1,00" & 1,50"	500	2,122"	CL150HD
2,00"	450	2,654"	CL200HD
2,50"	400	3,185"	CL250HD
3,00"	350	3,717"	CL300HD
4,00"	300	4,820"	CL400HD
6,00"	150	6,695"	CL600HD
8,00"	100	8,695"	CL800HD

<sup>1</sup> Wing nut tightened to 25 lb torque.

DESCRIPTION	PART #
Standard wing nut for HD clamps 2"	NUT-CL200HD

## CLAMPS, HEAVY DUTY, SINGLE PIN AND SERRATED WING NUT MODEL CL-HD-SW

**CLAMPS & GASKETS**



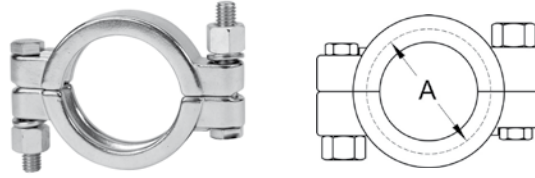
SIZE	SERVICE PRESSURE RATING @ 70°F <sup>1</sup>	DIMENSIONS as per diagram	SERIES # 13MHHM Stainless Steel 304
OD		A	PART #
0,50" & 0,75"	1500	1,062"	CL050HD-SW
1,00" & 1,50"	500	2,122"	CL150HD-SW
2,00"	450	2,654"	CL200HD-SW
2,50"	400	3,185"	CL250HD-SW
3,00"	350	3,717"	CL300HD-SW
4,00"	300	4,820"	CL400HD-SW
6,00"	150	6,695"	CL600HD-SW
8,00"	100	8,695"	CL800HD-SW

<sup>1</sup> Wing nut tightened to 25 lb torque.

DESCRIPTION	PART #
Serrated wing nut for HD clamps 2"	NUT-CL200HD-SW

**CLAMPS, HIGH PRESSURE, DUAL BOLTED  
MODEL CL13MHP**

**CLAMPS & GASKETS**



SIZE	SERVICE PRESSURE RATING @ 70°F <sup>1</sup>	DIMENSIONS as per diagram	SERIES # 13MHP Stainless Steel 304
OD		A	PART #
0,50" & 0,75"	1500	1,062"	CL13MHP-050HD
1,00" & 1,50"	1500	2,046"	CL13MHP-150HD
2,00"	1000	2,578"	CL13MHP-200HD
2,50"	1000	3,110"	CL13MHP-250HD
3,00"	1000	3,640"	CL13MHP-300HD
4,00"	800	4,744"	CL13MHP-400HD
6,00"	300	6,632"	CL13MHP-600HD

<sup>1</sup> Wing nut tightened to 25 lb torque.

**GASKETS, PEROXIDE CURED, CLEAR SILICONE, FDA APPROVED  
MODEL G-CS**

**CLAMPS & GASKETS**

**TEMPERATURE RANGE**

- 50°F / 400°F  
- 46°C / 204°C



SIZE	SERIES # 42MP Clear Silicone, no dot			SERIES # 40MP Clear Silicone, no dot		
OD	PART #		QUANTITY	PART #		QUANTITY
0,50"	G050-CS		25 PACK			
0,75"	G075-CS		25 PACK			
1,00"				G100-CS		25 PACK
1,50"				G150-CS		25 PACK
2,00"				G200-CS		25 PACK
2,50"				G250-CS		25 PACK
3,00"				G300-CS		10 PACK
4,00"				G400-CS		10 PACK
6,00"				G600-CS		Individually
8,00"				G800-CS		Individually

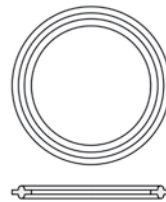
Other diameters available upon request.

**GASKETS, PEROXIDE CURED, EPDM, FDA APPROVED  
MODEL G-EPDM**

**CLAMPS & GASKETS**

**TEMPERATURE RANGE**

- 40°F / 275°F  
- 40°C / 135°C



SIZE	SERIES # 42MP EPDM, 3 green dots			SERIES # 40MP EPDM, 3 green dots		
OD	PART #		QUANTITY	PART #		QUANTITY
0,50"	G050-EPDM		25 PACK			
0,75"	G075-EPDM		25 PACK			
1,00"				G100-EPDM		25 PACK
1,50"				G150-EPDM		25 PACK
2,00"				G200-EPDM		25 PACK
2,50"				G250-EPDM		25 PACK
3,00"				G300-EPDM		10 PACK
4,00"				G400-EPDM		10 PACK
6,00"				G600-EPDM		Individually
8,00"				G800-EPDM		Individually

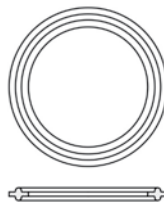
Other diameters available upon request.

**GASKETS, BUNA-N, FDA APPROVED  
MODEL G-BN**

**CLAMPS & GASKETS**

**TEMPERATURE RANGE**

- 25°F / 225°F  
- 32°C / 107°C



SIZE	SERIES # 42MP BUNA-N, 1 red dot		SERIES # 40MP BUNA-N, 1 red dot	
OD	PART #	QUANTITY	PART #	QUANTITY
0,50"	G050-BN	25 PACK		
0,75"	G075-BN	25 PACK		
1,00"			G100-BN	25 PACK
1,50"			G150-BN	25 PACK
2,00"			G200-BN	25 PACK
2,50"			G250-BN	25 PACK
3,00"			G300-BN	10 PACK
4,00"			G400-BN	10 PACK
6,00"			G600-BN	Individually
8,00"			G800-BN	Individually

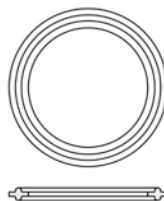
Other diameters available upon request.

**GASKETS, PEROXIDE CURED, VITON (FKM), FDA APPROVED  
MODEL G-FKM**

**CLAMPS & GASKETS**

**TEMPERATURE RANGE**

- 15°F / 375°F  
- 26°C / 191°C



SIZE	SERIES # 42MP VITON, 1 white dot & 1 yellow dot		SERIES # 40MP VITON, 1 white dot & 1 yellow dot	
OD	PART #	Quantity	PART #	Quantity
0,50"	G050-FKM	Individually		
0,75"	G075-FKM	Individually		
1,00"			G100-FKM	Individually
1,50"			G150-FKM	Individually
2,00"			G200-FKM	Individually
2,50"			G250-FKM	Individually
3,00"			G300-FKM	Individually
4,00"			G400-FKM	Individually
6,00"			G600-FKM	Individually
8,00"			G800-FKM	Individually

Other diameters available upon request.

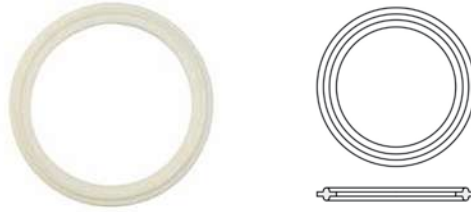


**GASKETS, PTFE (WHITE TEFLON), FDA APPROVED  
MODEL G-PTFE**

**CLAMPS & GASKETS**

**TEMPERATURE RANGE**

- 10°F / 300°F  
- 23°C / 232°C



Not recommended for double nut hose clamps.

SIZE	SERIES # 42MP PTFE, no dot			SERIES # 40MP PTFE, no dot		
	OD	PART #	QUANTITY	PART #	QUANTITY	QUANTITY
0,50"	G050-PTFE		25 PACK			
0,75"	G075-PTFE		25 PACK			
1,00"				G100-PTFE		25 PACK
1,50"				G150-PTFE		25 PACK
2,00"				G200-PTFE		25 PACK
2,50"				G250-PTFE		25 PACK
3,00"				G300-PTFE		10 PACK
4,00"				G400-PTFE		10 PACK
6,00"				G600-PTFE		Individually

Other diameters available upon request.

**FLANGED GASKETS, PEROXIDE CURED, EPDM, FDA APPROVED  
MODEL FG-EPDM**

**CLAMPS & GASKETS**

**TEMPERATURE RANGE**

- 40°F / 275°F  
- 40°C / 135°C



Type 2 - Flanged

SIZE	SERIES # 42MPF EPDM, 3 green dots			SERIES # 40MPF EPDM, 3 green dots		
	OD	PART #	QUANTITY	PART #	QUANTITY	QUANTITY
0,50"	FG050-EPDM		25 PACK			
0,75"	FG075-EPDM		25 PACK			
1,00"				FG100-EPDM		25 PACK
1,50"				FG150-EPDM		25 PACK
2,00"				FG200-EPDM		25 PACK
2,50"				FG250-EPDM		25 PACK
3,00"				FG300-EPDM		10 PACK
4,00"				FG400-EPDM		10 PACK
5,00"				FG500-EPDM		10 PACK
6,00"				FG600-EPDM		Individually
8,00"				FG800-EPDM		Individually

Other diameters available upon request.

**FLANGED GASKETS, PEROXIDE CURED, CLEAR SILICONE, FDA APPROVED  
MODEL FG-CS**

**CLAMPS & GASKETS**

**TEMPERATURE RANGE**  
- 50°F / 400°F  
- 46°C / 204°C



Type 2 - Flanged

SIZE	SERIES # 42MPF Clear Silicone, no dot			SERIES # 40MPF Clear Silicone, no dot		
	OD	PART #	QUANTITY	PART #		QUANTITY
0,50"	FG050-CS		25 PACK			
0,75"	FG075-CS		25 PACK			
1,00"				FG100-CS		25 PACK
1,50"				FG150-CS		25 PACK
2,00"				FG200-CS		25 PACK
2,50"				FG250-CS		25 PACK
3,00"				FG300-CS		10 PACK
4,00"				FG400-CS		10 PACK
5,00"				FG500-CS		10 PACK
6,00"				FG600-CS		Individually
8,00"				FG800-CS		Individually

Other diameters available upon request.

**FLANGED GASKETS, BUNA-N, FDA APPROVED  
MODEL FG-BN**

**CLAMPS & GASKETS**

**TEMPERATURE RANGE**  
- 25°F / 225°F  
- 32°C / 107°C



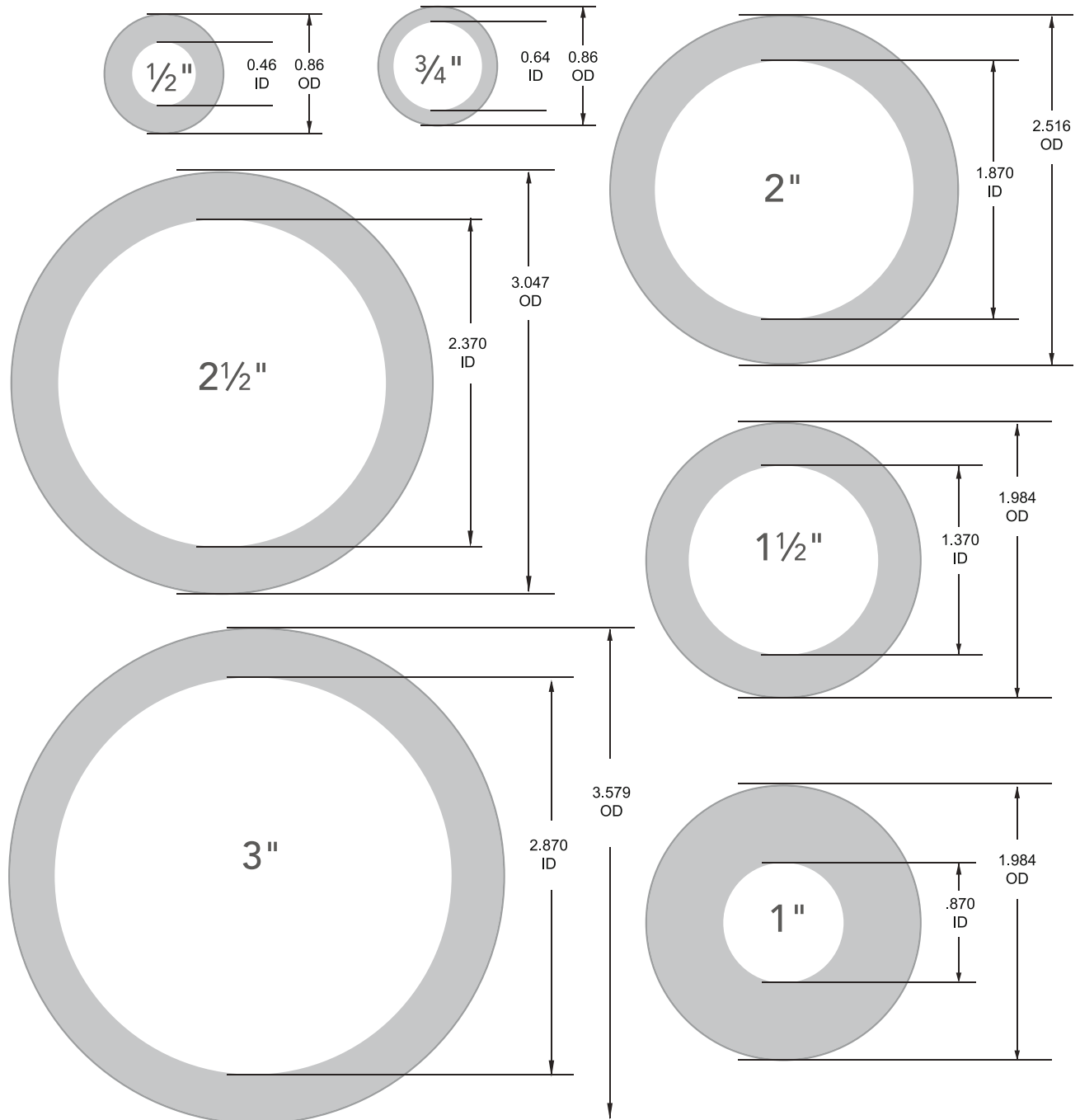
Type 2 - Flanged

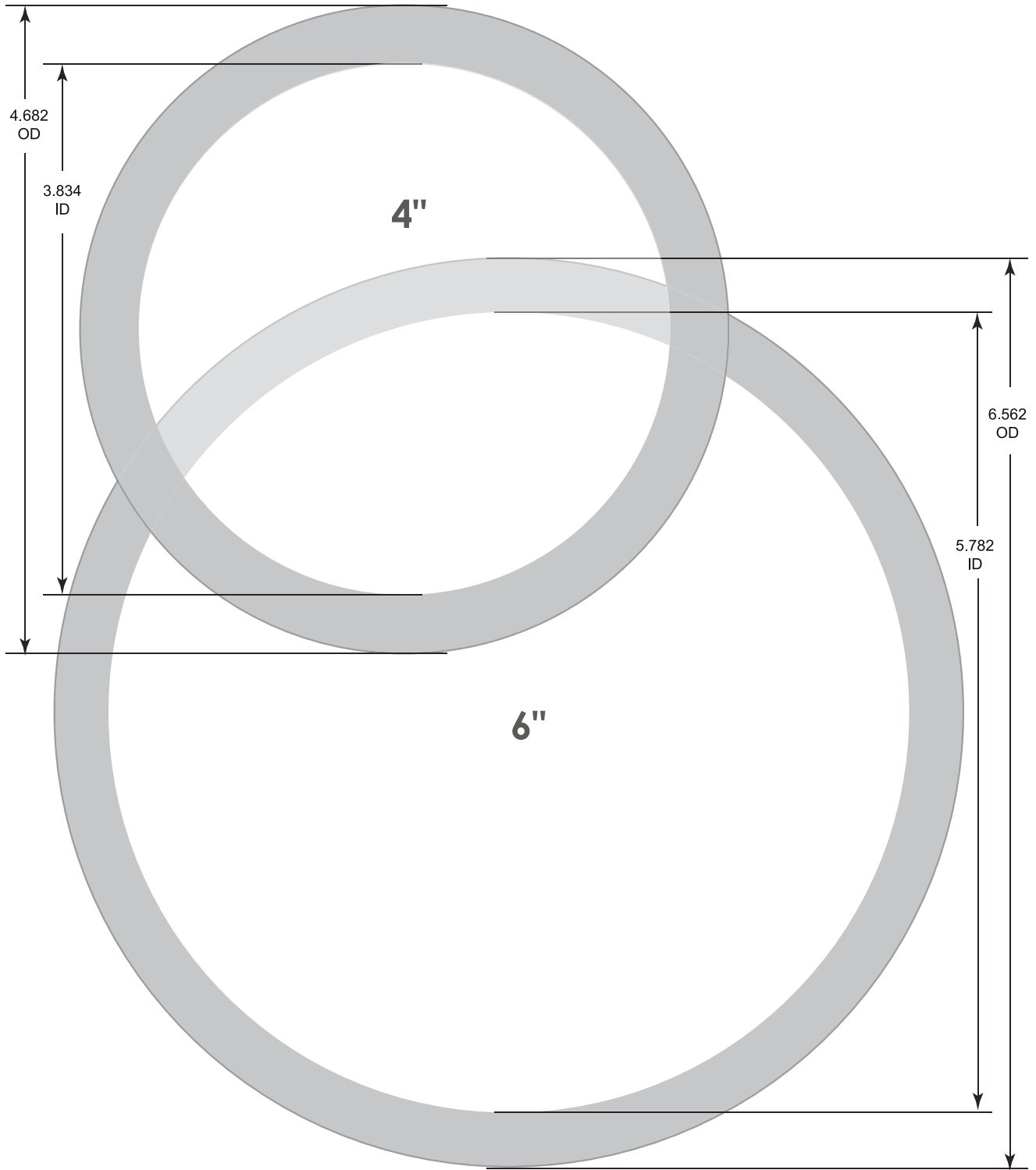
SIZE	SERIES # 42MPF BUNA-N, 1 red dot			SERIES # 40MPF BUNA-N, 1 red dot		
	OD	PART #	QUANTITY	PART #		QUANTITY
0,50"	FG050-BN		25 PACK			
0,75"	FG075-BN		25 PACK			
1,00"				FG100-BN		25 PACK
1,50"				FG150-BN		25 PACK
2,00"				FG200-BN		25 PACK
2,50"				FG250-BN		25 PACK
3,00"				FG300-BN		10 PACK
4,00"				FG400-BN		10 PACK
6,00"				FG600-BN		Individually
8,00"				FG800-BN		Individually

Other diameters available upon request.

# CLAMP GASKET - SIZING GUIDE

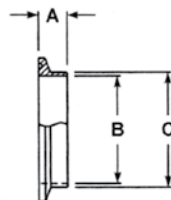
CLAMPS & GASKETS





## SHORT FERRULES, POLISHED # 7, 3A APPROVED MODEL SF

**BUTT-WELD**

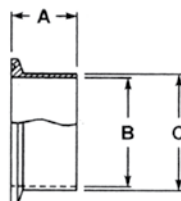


SIZE	DIMENSIONS as per diagram			SERIES # 14WMP Stainless Steel 304	SERIES # 14WMP Stainless Steel 316L
	OD	A	B	C	PART #
0,50"	0,50"	0,37"	0,50"	SF050-304	SF050-316L
0,75"	0,50"	0,62"	0,75"	SF075-304	SF075-316L
1,00"	0,50"	0,87"	1,00"	SF100-304	SF100-316L
1,50"	0,50"	1,37"	1,50"	SF150-304	SF150-316L
2,00"	0,50"	1,87"	2,00"	SF200-304	SF200-316L
2,50"	0,50"	2,37"	2,50"	SF250-304	SF250-316L
3,00"	0,50"	2,87"	3,00"	SF300-304	SF300-316L
4,00"	0,625"	3,834"	4,00"	SF400-304	SF400-316L
6,00"	0,875"	5,782"	6,00"	SF600-304	SF600-316L
8,00"	0,875"	7,76"	8,00"	SF800-304	SF800-316L

Other diameters available upon request.

## LONG FERRULES, POLISHED # 7, 3A APPROVED MODEL LF

**BUTT-WELD**

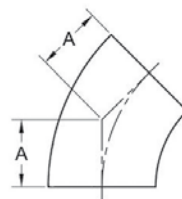


SIZE	DIMENSIONS as per diagram			SERIES # 14AMP Stainless Steel 304	SERIES # 14AMP Stainless Steel 316L
	OD	A	B	C	PART #
0,50"	1,125"	0,37"	0,50"	LF050-304	LF050-316L
0,75"	1,125"	0,62"	0,75"	LF075-304	LF075-316L
1,00"	1,125"	0,87"	1,00"	LF100-304	LF100-316L
1,50"	1,125"	1,37"	1,50"	LF150-304	LF150-316L
2,00"	1,125"	1,87"	2,00"	LF200-304	LF200-316L
2,50"	1,125"	2,37"	2,50"	LF250-304	LF250-316L
3,00"	1,125"	2,87"	3,00"	LF300-304	LF300-316L
4,00"	1,125"	3,834"	4,00"	LF400-304	LF400-316L
6,00"	1,500"	5,782"	6,00"	LF600-304	LF600-316L
8,00"	1,500"	7,76"	8,00"	LF800-304	LF800-316L

Other diameters available upon request.

**45° ELBOWS, BUTT WELD, POLISHED # 7, 3A APPROVED  
MODEL EL45**

**BUTT-WELD**

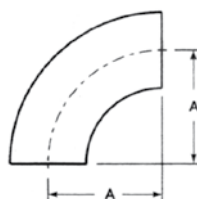


SIZE	DIMENSIONS as per diagram		SERIES # B2WK Stainless Steel 304	SERIES # B2WK Stainless Steel 316L
OD	A	Wall Thickness	PART #	PART #
0,50"	0,466"	0,065"	EL45-050-304	EL45-050-316L
0,75"	0,466"	0,065"	EL45-075-304	EL45-075-316L
1,00"	0,625"	0,065"	EL45-100-304	EL45-100-316L
1,50"	0,937"	0,065"	EL45-150-304	EL45-150-316L
2,00"	1,250"	0,065"	EL45-200-304	EL45-200-316L
2,50"	1,562"	0,065"	EL45-250-304	EL45-250-316L
3,00"	1,875"	0,065"	EL45-300-304	EL45-300-316L
4,00"	2,500"	0,083"	EL45-400-304	EL45-400-316L
6,00"	3,750"	0,109"	EL45-600-304	EL45-600-316L
8,00"	5,000"	0,170"		EL45-800-316L

Other diameters available upon request.

**90° ELBOWS, BUTT WELD, POLISHED # 7, 3A APPROVED  
MODEL EL90**

**BUTT-WELD**



SIZE	DIMENSIONS as per diagram		SERIES # B2WC Stainless Steel 304	SERIES # B2WC Stainless Steel 316L
OD	A	Wall Thickness	PART #	PART #
0,50"	1,125"	0,065"	EL90-050-304	EL90-050-316L
0,75"	1,125"	0,065"	EL90-075-304	EL90-075-316L
1,00"	1,500"	0,065"	EL90-100-304	EL90-100-316L
1,50"	2,250"	0,065"	EL90-150-304	EL90-150-316L
2,00"	3,000"	0,065"	EL90-200-304	EL90-200-316L
2,50"	3,750"	0,065"	EL90-250-304	EL90-250-316L
3,00"	4,500"	0,065"	EL90-300-304	EL90-300-316L
4,00"	6,000"	0,083"	EL90-400-304	EL90-400-316L
6,00"	9,000"	0,109"	EL90-600-304	EL90-600-316L
8,00"	12,000"	0,110"		EL90-800-316L

Other diameters available upon request.

**180° ELBOWS, BUTT WELD, POLISHED # 7, 3A APPROVED  
MODEL EL180**

**BUTT-WELD**

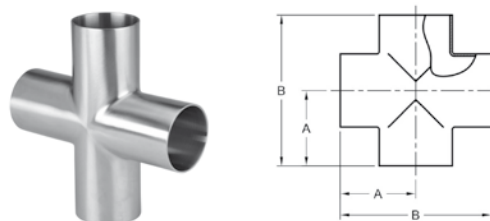


SIZE	DIMENSIONS as per diagram			SERIES # B2WUL Stainless Steel 304	SERIES # B2WUL Stainless Steel 316L
OD	A	B	Wall Thickness	PART #	PART #
1,00"	3,000"	2,000"	0,065"	EL180-10-304	EL180-10-316L
1,50"	4,500"	3,000"	0,065"	EL180-15-304	EL180-15-316L
2,00"	6,000"	4,000"	0,065"	EL180-20-304	EL180-20-316L
2,50"	7,500"	5,000"	0,065"	EL180-25-304	EL180-25-316L
3,00"	9,000"	6,000"	0,065"	EL180-30-304	EL180-30-316L
4,00"	12,000"	8,000"	0,083"	EL180-40-304	EL180-40-316L

Other diameters available upon request.

**CROSSES, BUTT WELD, POLISHED # 7, 3A APPROVED  
MODEL PB9WWWW**

**BUTT-WELD**

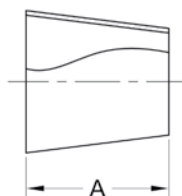


SIZE	DIMENSIONS as per diagram		SERIES # B9WWWW Stainless Steel 304	SERIES # B9WWWW Stainless Steel 316L
OD	A	B	PART #	PART #
1,00"	1,125"	2,250"	PB9WWWW-10-304	
1,50"	1,656"	3,312"	PB9WWWW-15-304	
2,00"	2,062"	4,125"	PB9WWWW-20-304	
2,50"	2,343"	4,687"	PB9WWWW-25-304	
3,00"	2,598"	5,187"	PB9WWWW-30-304	
4,00"	3,437"	6,875"	PB9WWWW-40-304	

Other diameters and materials available on request.

**CONCENTRIC REDUCERS, BUTT WELD, POLISHED # 7, 3A APPROVED  
MODEL CR31W**

**BUTT-WELD**



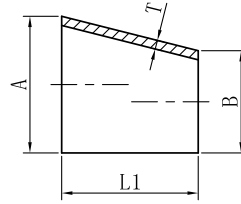
SIZE	DIMENSIONS as per diagram	SERIES # B31W Stainless Steel 304	SERIES # B31W Stainless Steel 316L
OD	A	PART #	PART #
1 x 0,5"	1,000"	CR31W-10-050-4	
1 x 0,75"	1,000"	CR31W-10-075-4	
1,5 x 1"	2,000"	CR31W-15-10-4	CR31W-15-10-6
2 x 1"	4,000"	CR31W-20-10-4	CR31W-20-10-6
2 x 1,5"	2,000"	CR31W-20-15-4	CR31W-20-15-6
2,5 x 1"	6,000"	CR31W-25-10-4	CR31W-25-10-6
2,5 x 1,5"	4,000"	CR31W-25-15-4	CR31W-25-15-6
2,5 x 2"	2,000"	CR31W-25-20-4	CR31W-25-20-6
3 x 1"	8,000"	CR31W-30-10-4	CR31W-30-10-6
3 x 1,5"	6,000"	CR31W-30-15-4	CR31W-30-15-6
3 x 2"	4,000"	CR31W-30-20-4	CR31W-30-20-6
3 x 2,5"	2,000"	CR31W-30-25-4	CR31W-30-25-6
4 x 1"	12,000"	CR31W-40-10-4	CR31W-40-10-6
4 x 1,5"	10,000"	CR31W-40-15-4	CR31W-40-15-6
4 x 2"	8,000"	CR31W-40-20-4	CR31W-40-20-6
4 x 2,5"	6,000"	CR31W-40-25-4	CR31W-40-25-6
4 x 3"	4,000"	CR31W-40-30-4	CR31W-40-30-6
6 x 4"	5,500"	CR31W-60-40-4	CR31W-60-40-6
10 x 8"	7,000"		CR31W-100-80-6

Other diameters available upon request.



**ECCENTRIC REDUCERS, BUTT WELD, POLISHED 7, 3A APPROVED  
MODEL ER32W**

**BUTT-WELD**

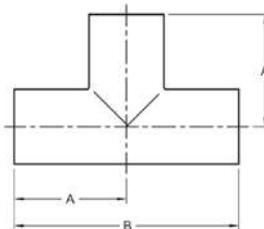
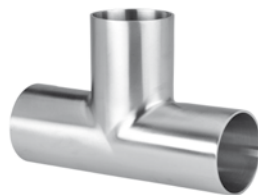


SIZE	DIMENSIONS as per diagram		SERIES # ER32W Stainless Steel 304	SERIES # ER32W Stainless Steel 316L
	OD (A x B)	L1	T	PART #
1,5 x 1"	2,000"	0,065 x 0,065"		ER32W-15-10-6
2 x 1"	4,000"	0,065 x 0,065"		ER32W-20-10-6
2 x 1,5"	2,000"	0,065 x 0,065"	ER32W-20-15-4	ER32W-20-15-6
2,5 x 1"	6,000"	0,065 x 0,065"		ER32W-25-10-6
2,5 x 1,5"	4,000"	0,065 x 0,065"		ER32W-25-15-6
2,5 x 2"	2,000"	0,065 x 0,065"		ER32W-25-20-6
3 x 1"	8,000"	0,065 x 0,065"		ER32W-30-10-6
3 x 1,5"	6,000"	0,065 x 0,065"		ER32W-30-15-6
3 x 2"	4,000"	0,065 x 0,065"		ER32W-30-20-6
3 x 2,5"	2,000"	0,065 x 0,065"		ER32W-30-25-6
4 x 1,5"	10,000"	0,083 x 0,065"		ER32W-40-15-6
4 x 2"	8,000"	0,083 x 0,065"		ER32W-40-20-6
4 x 2,5"	6,000"	0,083 x 0,065"		ER32W-40-25-6
4 x 3"	4,000"	0,083 x 0,065"		ER32W-40-30-6
6 x 3"	5,512"	0,109 x 0,065"		ER32W-60-30-6
6 x 4"	5,512"	0,109 x 0,083"		ER32W-60-40-6

Other diameters available upon request.

**LONG TEES, BUTT WELD, POLISHED # 7, 3A APPROVED  
MODEL LTB7W**

**BUTT-WELD**

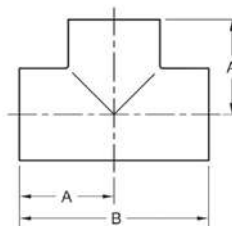


SIZE	DIMENSIONS as per diagram		SERIES # B7W Stainless Steel 304	SERIES # B7W Stainless Steel 316L
OD	A	B	PART #	PART #
0,50"	1,875"	3,750"		LTB7W-050-316L
0,75"	2,000"	4,000"		LTB7W-075-316L
1,00"	1,875"	3,750"	LTB7W-100-304	LTB7W-100-316L
1,50"	2,250"	4,500"	LTB7W-150-304	LTB7W-150-316L
2,00"	3,000"	6,000"	LTB7W-200-304	LTB7W-200-316L
2,50"	3,000"	6,000"	LTB7W-250-304	LTB7W-250-316L
3,00"	3,250"	6,500"	LTB7W-300-304	LTB7W-300-316L
4,00"	3,875"	7,750"	LTB7W-400-304	LTB7W-400-316L
6,00"	5,625"	11,250"	LTB7W-600-304	LTB7W-600-316L

Other diameters available upon request.

**SHORT TEES, BUTT WELD, POLISHED # 7, 3A APPROVED  
MODEL STB7WWW**

**BUTT-WELD**

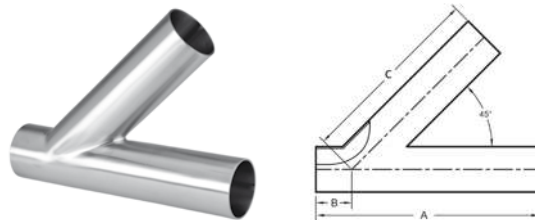


SIZE	DIMENSIONS as per diagram		SERIES # B7WWW Stainless Steel 304
OD	A	B	PART #
0,50"			
0,75"			
1,00"	1,125"	2,250"	STB7WWW-100-304
1,50"	1,656"	3,312"	STB7WWW-150-304
2,00"	2,063"	4,125"	STB7WWW-200-304
2,50"	2,344"	4,688"	STB7WWW-250-304
3,00"	2,594"	5,188"	STB7WWW-300-304
4,00"	3,438"	6,875"	STB7WWW-400-304
6,00"	5,625"	11,250"	STB7WWW-600-304
8,00"			

Other diameters available upon request.

**LATERAL Y'S, BUTT WELD, POLISHED # 7, 3A APPROVED  
MODEL YLB28WA**

**BUTT-WELD**

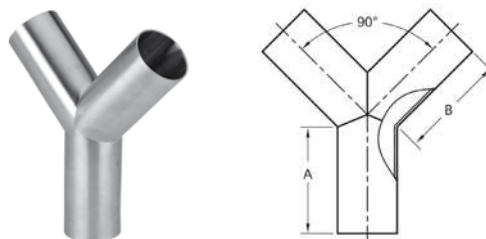


SIZE	DIMENSIONS as per diagram			SERIES # B28WA Stainless Steel 304	SERIES # B28WA Stainless Steel 316L
	OD	A	B	C	PART #
1,00"	6,000"	1,000"	5,000"	YLB28WA-10-304	
1,50"	7,375"	1,188"	6,188"	YLB28WA-15-304	
2,00"	8,750"	1,625"	7,125"	YLB28WA-20-304	
2,50"	10,000"	1,500"	8,500"	YLB28WA-25-304	
3,00"	10,750"	1,875"	8,875"	YLB28WA-30-304	
4,00"	12,812"	2,015"	10,750"	YLB28WA-40-304	
6,00"	16,500"	4,000"	14,750"	YLB28WA-60-304	

Other diameters and materials available on request.

**TRUE Y'S, BUTT WELD, POLISHED # 7, 3A APPROVED  
MODEL YB28W**

**BUTT-WELD**

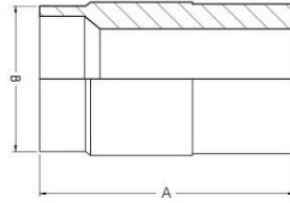


SIZE	DIMENSIONS as per diagram		SERIES # B28W Stainless Steel 304	SERIES # B28W Stainless Steel 316L
	OD	A	B	PART #
1,00"	2,000"	2,438"	YB28W-10-304	
1,50"	2,000"	2,438"	YB28W-15-304	
2,00"	2,625"	3,250"	YB28W-20-304	
2,50"	3,375"	4,125"	YB28W-25-304	
3,00"	4,000"	4,875"	YB28W-30-304	
4,00"	5,375"	6,562"	YB28W-40-304	

Other diameters and materials available on request.

**ADAPTERS, BUTT WELD x NPTM, POLISHED # 7**  
MODEL 19WB

**BUTT-WELD**

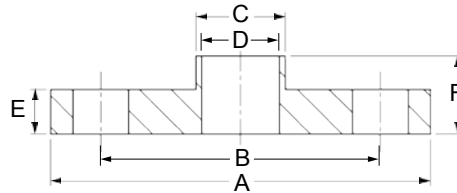


SIZE	NPTM	DIMENSIONS as per diagram		SERIES # 19WB Stainless Steel 304	SERIES # 19WB Stainless Steel 316L
OD		A	B	PART #	PART #
1,00"	0,75"	1,750"	1,000"		P19WB-10-075-6L
1,00"	1,00"	1,750"	1,000"		P19WB-10-10-6L
1,50"	1,00"	1,750"	1,500"		P19WB-15-10-6L
1,50"	1,50"	1,750"	1,500"		P19WB-15-15-6L
2,00"	1,50"	1,813"	2,000"		P19WB-20-15-6L
2,00"	2,00"	1,813"	2,000"		P19WB-20-20-6L

Other diameters and materials available on request.

**WELD NECK FLANGES RF150, POLISHED # 7**  
MODEL SPW-B38W

**BUTT-WELD**

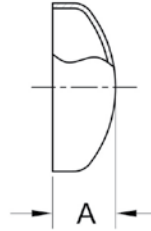


SIZE	DIMENSIONS * as per diagram						SERIES # B38W Stainless Steel 304	SERIES # B38W Stainless Steel 316L
OD	A	B	C	D	E	F	PART #	PART #
1,00"	4,250"	3,126"	1,000"	0,870"	0,500"	0,375"		SPW-B38W100-6
1,50"	5,000"	3,874"	1,500"	1,370"	0,500"	0,375"		SPW-B38W150-6
2,00"	6,000"	4,752"	2,000"	1,870"	0,625"	0,500"		SPW-B38W200-6
2,50"	7,000"	5,500"	2,500"	2,370"	0,625"	0,500"		SPW-B38W250-6
3,00"	7,500"	6,000"	3,000"	2,870"	0,625"	0,500"		SPW-B38W300-6
4,00"	9,000"	7,500"	4,000"	3,835"	0,625"	0,500"	SPW-B38W400-4	SPW-B38W400-6
6,00"	11,000"	9,500"	6,000"	5,780"	0,625"	0,500"		SPW-B38W600-6

Other diameters and materials available on request.

**DOME CAPS, POLISHED # 7, 3A APPROVED  
MODEL RC**

**BUTT-WELD**

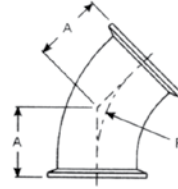


SIZE	DIMENSIONS as per diagram	SERIES # B16W Stainless Steel 304	SERIES # B16W Stainless Steel 316L
OD	A	PART #	PART #
1,00"	0,375"		RC100-316L
1,50"	0,562"		RC150-316L
2,00"	0,750"		RC200-316L
2,50"	1,000"		RC250-316L
3,00"	1,250"	RC300-304	RC300-316L
4,00"	1,500"		RC400-316L

Other diameters available upon request.

**45° ELBOWS, TRI-CLAMP®, POLISHED # 7, 3A APPROVED  
MODEL PFCL45**

**TRI-CLAMP®**

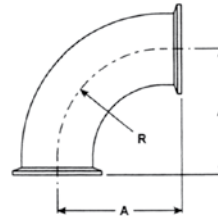


SIZE	DIMENSIONS as per diagram		SERIES # B2KMP Stainless Steel 304	SERIES # B2KMP Stainless Steel 316L
	OD	A	R	PART #
1"	1,125"	1,50"	PFCL45-10-304	PFCL45-10-316L
1,50"	1,437"	2,25"	PFCL45-15-304	PFCL45-15-316L
2,00"	1,750"	3,00"	PFCL45-20-304	PFCL45-20-316L
2,50"	2,062"	3,75"	PFCL45-25-304	PFCL45-25-316L
3,00"	2,375"	4,50"	PFCL45-30-304	PFCL45-30-316L
4,00"	3,125"	6,00"	PFCL45-40-304	PFCL45-40-316L
6,00"	4,625"	9,00"	PFCL45-60-304	PFCL45-60-316L

Other diameters available upon request.

**90° ELBOWS, TRI-CLAMP®, POLISHED # 7, 3A APPROVED  
MODEL PFCL90**

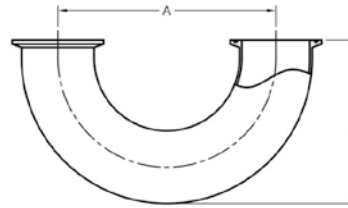
**TRI-CLAMP®**



SIZE	DIMENSIONS as per diagram		SERIES # B2CMP Stainless Steel 304	SERIES # B2CMP Stainless Steel 316L
	OD	A	R	PART #
0,50"	1,625"	1,125"		PFCL90-050-316L
0,75"	1,625"	1,125"		PFCL90-075-316L
1,00"	2,00"	1,50"	PFCL90-10-304	PFCL90-10-316L
1,50"	2,75"	2,25"	PFCL90-15-304	PFCL90-15-316L
2,00"	3,50"	3,00"	PFCL90-20-304	PFCL90-20-316L
2,50"	4,25"	3,75"	PFCL90-25-304	PFCL90-25-316L
3,00"	5,00"	4,50"	PFCL90-30-304	PFCL90-30-316L
4,00"	6,625"	6,00"	PFCL90-40-304	PFCL90-40-316L
6,00"	9,875"	9,00"	PFCL90-60-304	PFCL90-60-316L

Other diameters available upon request.

**180° RETURN BENDS, TRI-CLAMP®, POLISHED # 7, 3A APPROVED  
MODEL PFCL180**

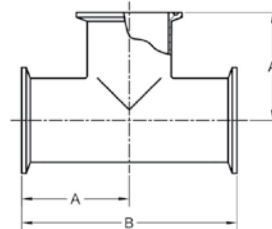


**TRI-CLAMP®**

SIZE	DIMENSIONS as per diagram		SERIES # B2WUMP Stainless Steel 304	SERIES # B2WUMP Stainless Steel 316L
OD	A	B	PART #	PART #
1"	3,000"	2,500"	PFCL180-10-304	PFCL180-10-316L
1,50"	4,500"	3,500"	PFCL180-15-304	PFCL180-15-316L
2,00"	6,000"	4,500"	PFCL180-20-304	PFCL180-20-316L
2,50"	7,500"	5,500"	PFCL180-25-304	PFCL180-25-316L
3,00"	9,000"	6,500"	PFCL180-30-304	PFCL180-30-316L
4,00"	12,000"	8,625"	PFCL180-40-304	PFCL180-40-316L

Other diameters available upon request.

**LONG TEES, TRI-CLAMP®, POLISHED # 7, 3A APPROVED  
MODEL LTB7MP**



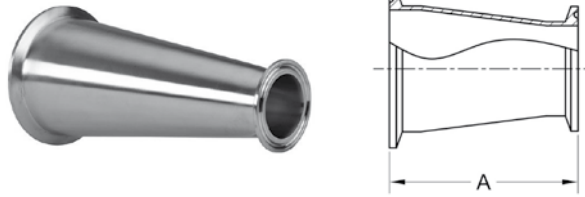
**TRI-CLAMP®**

SIZE	DIMENSIONS as per diagram		SERIES # B7MP Stainless Steel 304	SERIES # B7MP Stainless Steel 316L
OD	A	B	PART #	PART #
0,50"	2,375"	4,750"		LTB7MP-050-316L
0,75"	2,500"	5,000"		LTB7MP-075-316L
1,00"	2,375"	4,750"	LTB7MP-100-304	LTB7MP-100-316L
1,50"	2,750"	5,500"	LTB7MP-150-304	LTB7MP-150-316L
2,00"	3,500"	7,000"	LTB7MP-200-304	LTB7MP-200-316L
2,50"	3,500"	7,000"	LTB7MP-250-304	LTB7MP-250-316L
3,00"	3,750"	7,500"	LTB7MP-300-304	LTB7MP-300-316L
4,00"	4,500"	9,000"	LTB7MP-400-304	LTB7MP-400-316L
6,00"	6,500"	13,000"		LTB7MP-600-316L

Other diameters available upon request.

**CONCENTRIC REDUCERS, TRI-CLAMP®, POLISHED # 7, 3A APPROVED  
MODEL 3114MP**

**TRI-CLAMP®**



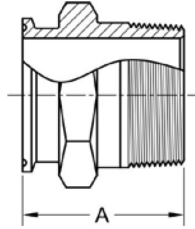
SIZE	DIMENSIONS as per diagram	SERIES # B3114MP Stainless Steel 304	SERIES # B3114MP Stainless Steel 316L
OD	A	PART #	PART #
1,5 x 1"	2,000"	3114MP-15-10-4	3114MP-15-10-6
2 x 1"	4,000"	3114MP-20-10-4	3114MP-20-10-6
2 x 1,5"	2,000"	3114MP-20-15-4	3114MP-20-15-6
2,5 x 1"	7,000"	3114MP-25-10-4	3114MP-25-10-6
2,5 x 1,5"	4,000"	3114MP-25-15-4	3114MP-25-15-6
2,5 x 2"	2,000"	3114MP-25-20-4	3114MP-25-20-6
3 x 1"	9,000"	3114MP-30-10-4	3114MP-30-10-6
3 x 1,5"	7,000"	3114MP-30-15-4	3114MP-30-15-6
3 x 2"	4,000"	3114MP-30-20-4	3114MP-30-20-6
3 x 2,5"	2,000"	3114MP-30-25-4	3114MP-30-25-6
4 x 1"	13,000"	3114MP-40-10-4	3114MP-40-10-6
4 x 1,5"	11,125"	3114MP-40-15-4	3114MP-40-15-6
4 x 2"	8,000"	3114MP-40-20-4	3114MP-40-20-6
4 x 2,5"	7,125"	3114MP-40-25-4	3114MP-40-25-6
4 x 3"	4,000"	3114MP-40-30-4	3114MP-40-30-6
6 x 4"	7,000"	3114MP-60-40-4	

Other diameters available upon request.



**ADAPTERS, TRI-CLAMP® x NPTM, POLISHED # 7  
MODEL CA21MP**

**TRI-CLAMP®**

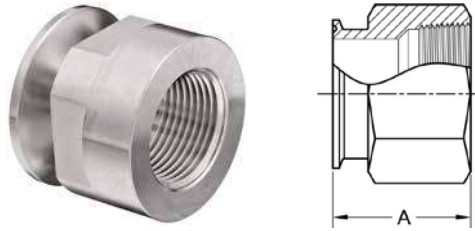


SIZE	DIMENSIONS as per diagram	SERIES # 21MP Stainless Steel 304	SERIES # 21MP Stainless Steel 316L
OD (TC x NPTM)	A	PART #	PART #
1 x 0,5"	2,190"		CA21MP-10-050-6
1 x 0,75"	2,190"		CA21MP-10-075-6
1 x 1"	2,250"		CA21MP-10-10-6
1,5 x 0,25"	2,200"	CA21MP-15-025-4	CA21MP-15-025-6
1,5 x 0,50"	2,150"	CA21MP-15-050-4	CA21MP-15-050-6
1,5 x 0,75"	2,200"	CA21MP-15-075-4	CA21MP-15-075-6
1,5 x 1"	2,250"	CA21MP-15-10-4	CA21MP-15-10-6
1,5 x 1,5"	2,583"	CA21MP-15-15-4	CA21MP-15-15-6
1,5 x 2 "	2,550"		CA21MP-15-20-6
2 x 0,25"	2,250"	CA21MP-20-025-4	CA21MP-20-025-6
2 x 0,50"	2,250"	CA21MP-20-050-4	
2 x 1"	2,450"	CA21MP-20-10-4	
2 x 1,5"	2,450"	CA21MP-20-15-4	CA21MP-20-15-6
2 x 2"	2,638"	CA21MP-20-20-4	CA21MP-20-20-6
2 x 2,5"	2,835"	CA21MP-20-25-4	CA21MP-20-25-6
2,5 x 1,5"	2,750"		CA21MP-25-15-6
2,5 x 2"	2,750"	CA21MP-25-20-4	CA21MP-25-20-6
2,5 x 2,5"	2,874"	CA21MP-25-25-4	CA21MP-25-25-6
3 x 1,5"	3,000"		CA21MP-30-15-6
3 x 2"	2,550"		CA21MP-30-20-6
3 x 2,5"	3,000"		CA21MP-30-25-6
3 x 3"	3,000"	CA21MP-30-30-4	CA21MP-30-30-6
4 x 3"	3,100"		CA21MP-40-30-6

Other diameters available upon request.

**ADAPTERS, TRI-CLAMP® x NPTF, POLISHED # 7  
MODEL CAF22MP**

**TRI-CLAMP®**

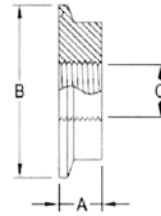


SIZE	DIMENSIONS as per diagram	SERIES # 22MP Stainless Steel 304	SERIES # 22MP Stainless Steel 316L
OD (TC x NPTF)	A	PART #	PART #
1 x 0,50"	1,630"		CAF22MP-10-050-6
1 x 0,75"	1,630"		CAF22MP-10-075-6
1 x 1"	1,630"		CAF22MP-10-10-6
1,5 x 0,25"	1,630"		CAF22MP-15-025-6
1,5 x 0,50"	1,630"		CAF22MP-15-050-6
1,5 x 0,75"	1,630"		CAF22MP-15-075-6
1,5 x 1"	1,630"		CAF22MP-15-10-6
1,5 x 1,25"	1,700"		CAF22MP-15-125-6
1,5 x 1,5"	2,250"		CAF22MP-15-15-6
2 x 1"	1,700"		CAF22MP-20-10-6
2 x 1,25"	1,750"		CAF22MP-20-125-6
2 x 1,5"	1,750"		CAF22MP-20-15-6
2 x 2"	2,300"		CAF22MP-20-20-6
2,5 x 1,5"	1,700"		CAF22MP-25-15-6
2,5 x 2"	1,700"		CAF22MP-25-20-6
2,5 x 2,5"	2,100"		CAF22MP-25-25-6
3 x 2"	2,000"		CAF22MP-30-20-6
3 x 2,5"	2,200"		CAF22MP-30-25-6
3 x 3"	2,200"		CAF22MP-30-30-6
4 x 1,5"	2,200"		CAF22MP-40-15-6
4 x 2"	2,200"		CAF22MP-40-20-6
4 x 2,5"	2,200"		CAF22MP-40-25-6
4 x 3"	2,200"		CAF22MP-40-30-6

Other diameters, threads and materials available on request.

**THERMOMETER CAPS, TRI-CLAMP® x NPTF, POLISHED # 7  
MODEL THCL**

**TRI-CLAMP®**

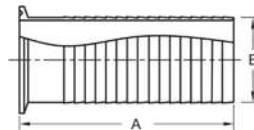


SIZE	DIMENSIONS as per diagram			SERIES # 23BMP Stainless Steel 316L
	A	B	C	
1"	0,625"	1,984"	1/4" NPTF	THCL100-25-316L
1"	0,625"	1,984"	1/2" NPTF	THCL100-50-316L
1,50"	0,625"	1,984"	1/4" NPTF	THCL150-25-316L
1,50"	0,625"	1,984"	1/2" NPTF	THCL150-50-316L
2,00"	0,625"	2,516"	1/4" NPTF	THCL200-25-316L
2,00"	0,625"	2,516"	1/2" NPTF	THCL200-50-316L
2,50"	0,625"	3,047"	1/4" NPTF	THCL250-25-316L
2,50"	0,625"	3,047"	1/2" NPTF	THCL250-50-316L
3,00"	0,625"	3,579"	1/4" NPTF	THCL300-25-316L
3,00"	0,625"	3,579"	1/2" NPTF	THCL300-50-316L
4,00"	0,625"	4,682"	1/4" NPTF	THCL400-25-316L
4,00"	0,625"	4,682"	1/2" NPTF	THCL400-50-316L

Other diameters available upon request.

**ADAPTERS, TRI-CLAMP® x HOSE BARB, 3A APPROVED  
MODEL HB14MPHRL**

**TRI-CLAMP®**

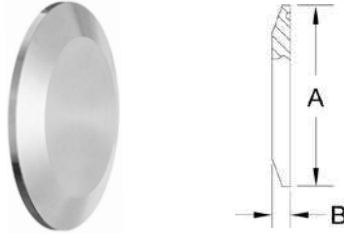


SIZE	DIMENSIONS as per diagram		SERIES # 14MPHRL Stainless Steel 316L
	OD	A	
1,00"	3,500"	1,030"	HB14MPHRL-100-6
1,50"	5,000"	1,530"	HB14MPHRL-150-6
2,00"	5,000"	2,030"	HB14MPHRL-200-6
2,50"	5,500"	2,530"	HB14MPHRL-250-6
3,00"	5,500"	3,030"	HB14MPHRL-300-6
4,00"	5,500"	4,030"	HB14MPHRL-400-6
6,00"	5,500"	6,00"	HB14MPHRL-600-6

Other diameters available upon request.

**SOLID END CAPS, POLISHED # 7, 3A APPROVED  
MODEL CAP**

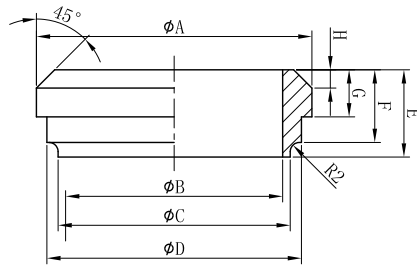
**TRI-CLAMP®**



SIZE	DIMENSIONS as per diagram		SERIES # 16AMP Stainless Steel 304	SERIES # 16AMP Stainless Steel 316L
	A	B	PART #	PART #
0,50" & 0,75"	0,992"	0,187"	CAP050-304	CAP050-316L
1,00" & 1,50"	1,984"	0,250"	CAP150-304	CAP150-316L
2,00"	2,516"	0,250"	CAP200-304	CAP200-316L
2,50"	3,047"	0,250"	CAP250-304	CAP250-316L
3,00"	3,579"	0,250"	CAP300-304	CAP300-316L
4,00"	4,682"	0,250"	CAP400-304	CAP400-316L
6,00"	6,570"	0,437"	CAP600-304	CAP600-316L

Other diameters available upon request.

**SHORT PLAIN BEVEL SEAT WELD FERRULES, POLISHED #7, 3A APPROVED  
MODEL 14PRF**

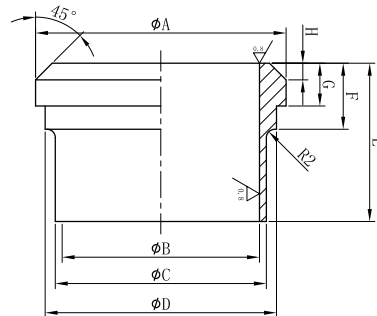
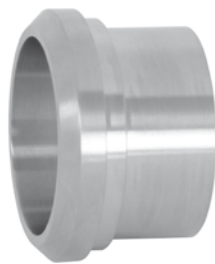


**BEVEL**

SIZE	DIMENSIONS as per diagram								SERIES # 14PRF Stainless Steel 304
OD	A	B	C	D	E	F	G	H	PART #
2,00"	2,374"	1,870"	2,000"	2,193"	0,752"	0,626"	0,406"	0,157"	SS14PRF-200-304
2,50"	2,906"	2,370"	2,500"	2,709"	0,878"	0,657"	0,437"	0,173"	SS14PRF-250-304
3,00"	3,437"	2,870"	3,000"	3,224"	0,909"	0,720"	0,469"	0,189"	SS14PRF-300-304
4,00"	4,500"	3,835"	4,000"	4,256"	1,031"	0,811"	0,563"	0,220"	SS14PRF-400-304

Other diameters and materials available upon request.

**LONG PLAIN BEVEL SEAT WELD FERRULES, POLISHED #7, 3A APPROVED  
MODEL 14A**



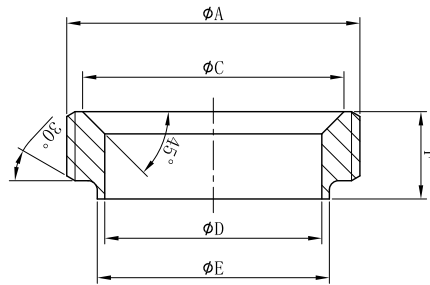
**BEVEL**

SIZE	DIMENSIONS as per diagram								SERIES # 14A Stainless Steel 304
OD	A	B	C	D	E	F	G	H	PART #
2,00"	2,374"	1,870"	2,000"	2,193"	1,500"	0,626"	0,405"	0,157"	SS14A-200-304
2,50"	2,906"	2,370"	2,500"	2,709"	1,752"	0,657"	0,437"	0,173"	SS14A-250-304
3,00"	3,437"	2,870"	3,000"	3,224"	1,752"	0,720"	0,469"	0,189"	SS14A-300-304

Other diameters and materials available upon request.

**SHORT THREADED BEVEL SEAT WELD FERRULES, POLISHED #7, 3A APPROVED  
MODEL 15TRF**

**BEVEL**

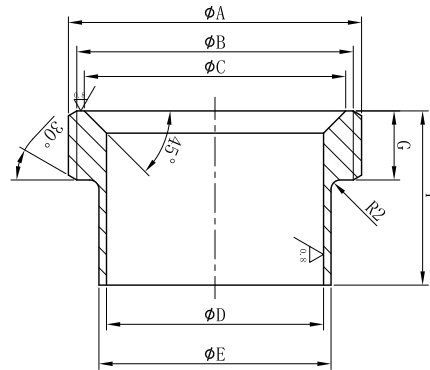


SIZE	DIMENSIONS as per diagram					SERIES # 15TRF Stainless Steel 304	
OD	A	C	D	E	F	PART #	
1,50"	1,994"	1,720"	1,374"	1,500"	0,720"	SS15TRF-150-304	
2,00"	2,526"	2,252"	1,870"	2,000"	0,752"	SS15TRF-200-304	
2,50"	3,058"	2,783"	2,370"	2,500"	0,874"	SS15TRF-250-304	
3,00"	3,590"	3,315"	2,870"	3,000"	0,909"	SS15TRF-300-304	
4,00"	4,695"	4,307"	3,835"	4,000"	1,031"	SS15TRF-400-304	

Other diameters and materials available upon request.

**LONG THREADED BEVEL SEAT WELD FERRULES, POLISHED #7, 3A APPROVED  
MODEL 15A**

**BEVEL**

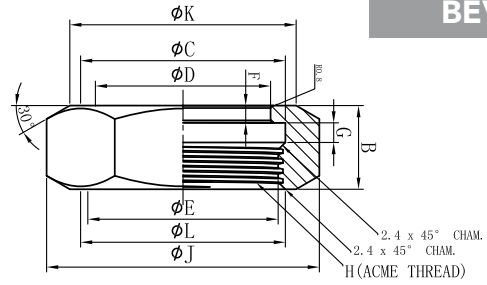
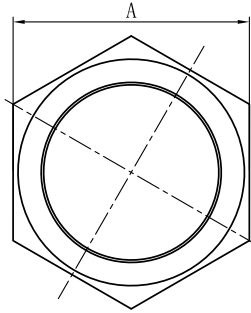


SIZE	DIMENSIONS as per diagram							SERIES # 15A Stainless Steel 304	
OD	A	B	C	D	E	F	G	PART #	
1,50"	1,994"	1,850"	1,720"	1,370"	1,500"	1,500"	0,563"	SS15A-150-304	
2,00"	2,526"	2,382"	2,252"	1,870"	2,000"	1,500"	0,594"	SS15A-200-304	
2,50"	3,058"	2,913"	2,783"	2,370"	2,500"	1,752"	0,720"	SS15A-250-304	
3,00"	3,590"	3,445"	3,315"	2,870"	3,000"	1,752"	0,752"	SS15A-300-304	

Other diameters and materials available upon request.

**BEVEL SEAT UNION HEX NUT, POLISHED #7, 3A APPROVED  
MODEL 13H**

**BEVEL**

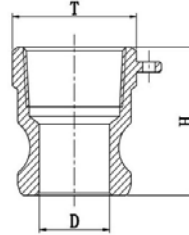


SIZE	DIMENSIONS as per diagram											SERIES # 13H Stainless Steel 304	
	OD	A	B	C	D	E	F	G	H	J	K	L	PART #
1,50"	2,406"	0,969"	2,079"	1,709"	1,884"	0,220"	0,250"	8T	2,780"	2,281"	2,030"	BS13H-150-304	
2,00"	3,000"	1,063"	2,600"	2,224"	2,417"	0,220"	0,250"	8T	3,465"	2,874"	2,561"	BS13H-200-304	
2,50"	3,595"	1,189"	3,142"	2,740"	2,949"	0,220"	0,250"	8T	4,150"	3,469"	3,094"	BS13H-250-304	
3,00"	4,189"	1,281"	3,675"	3,256"	3,496"	0,250"	0,250"	8T	4,835"	4,063"	3,626"	BS13H-300-304	
4,00"	5,421"	1,500"	4,780"	4,287"	4,543"	0,250"	0,377"	6T	6,260"	5,280"	4,728"	BS13H-400-304	

Other diameters and materials available upon request.

## CAMLOCK COUPLINGS, TYPE A MODEL CAMA

**CAMLOCK**

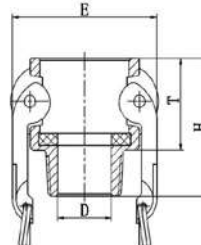


SIZE	DIMENSIONS as per diagram			SERIES CAMA Stainless Steel 304	SERIES CAMA Stainless Steel 316L
OD	T	H	D	PART #	PART #
0,5"	0,976"	1,346"	0,591"		CAMA-050-6L
0,75"	1,272"	1,551"	0,819"		CAMA-075-6L
1,00"	1,504"	1,772"	1,000"		CAMA-100-6L
1,25"	1,890"	2,106"	1,220"		CAMA-125-6L
1,50"	2,114"	1,988"	1,575"		CAMA-150-6L
2,00"	2,583"	2,236"	1,890"		CAMA-200-6L
2,50"	3,217"	2,795"	2,362"		CAMA-250-6L
3,00"	3,724"	2,756"	3,059"		CAMA-300-6L
4,00"	4,764"	2,717"	4,106"		

Other diameters and materials available on request.

## CAMLOCK COUPLINGS, TYPE B MODEL CAMB

**CAMLOCK**



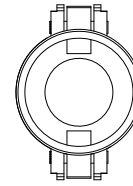
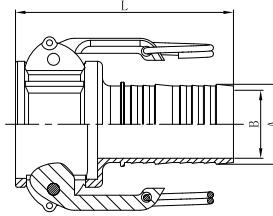
SIZE	DIMENSIONS as per diagram				SERIES CAMB Stainless Steel 304	SERIES CAMB Stainless Steel 316L
OD	E	T	H	D	PART #	PART #
0,5"	1,673"	1,130"	1,752"	0,571"		CAMB-050-6L
0,75"	2,047"	1,339"	1,988"	0,795"		CAMB-075-6L
1,00"	2,362"	1,496"	2,264"	0,984"		CAMB-100-6L
1,25"	2,933"	1,772"	2,571"	1,299"		CAMB-125-6L
1,50"	3,244"	1,748"	2,539"	1,614"		CAMB-150-6L
2,00"	3,622"	1,949"	2,783"	2,047"		CAMB-200-6L
2,50"	4,173"	2,047"	3,091"	2,575"		
3,00"	5,118"	2,165"	3,307"	2,953"		
4,00"	6,220"	2,205"	3,417"	4,016"		

EPDM gasket included.

Other diameters and materials available on request.



## CAMLOCK COUPLINGS, TYPE C, 6 SHANKS MODEL CAMC



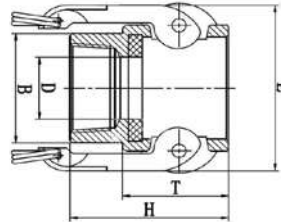
**CAMLOCK**

SIZE	DIMENSIONS as per diagram			SERIES CAMC Stainless Steel 304	SERIES CAMC Stainless Steel 316L
	OD	A	B	L	PART #
0,5"	0,551"	0,335"	2,776"		CAMC-050-6S-6L
0,75"	0,807"	0,571"	3,130"		CAMC-075-6S-6L
1,00"	1,063"	0,787"	3,701"		CAMC-100-6S-6L
1,25"	1,280"	1,043"	4,094"		CAMC-125-6S-6L
1,50"	1,575"	1,339"	4,291"		CAMC-150-6S-6L
2,00"	2,067"	1,831"	4,961"		CAMC-200-6S-6L
2,50"					
3,00"	3,070"	2,756"	5,709"		CAMC-300-6S-6L
4,00"					

EPDM gasket included.

Other diameters and materials available on request.

## CAMLOCK COUPLINGS, TYPE D MODEL CAMD



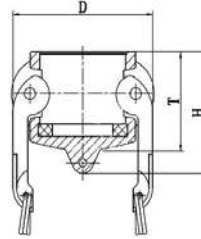
**CAMLOCK**

SIZE	DIMENSIONS as per diagram					SERIES CAMD Stainless Steel 304	SERIES CAMD Stainless Steel 316L
	OD	E	T	H	D	B	PART #
0,5"	1,673"	1,161"	1,752"	0,579"	1,004"		CAMD-050-6L
0,75"	2,047"	1,339"	1,929"	0,768"	1,220"		CAMD-075-6L
1,00"	2,390"	1,508"	2,303"	0,984"	1,457"		CAMD-100-6L
1,25"	2,913"	1,772"	2,480"	1,181"	1,831"		CAMD-125-6L
1,50"	3,287"	1,764"	2,598"	1,555"	2,071"		CAMD-150-6L
2,00"	3,661"	1,969"	2,835"	1,929"	2,512"		CAMD-200-6L
2,50"	4,331"	2,047"	3,150"	2,244"	3,150"		
3,00"	5,236"	2,185"	3,287"	2,992"	3,701"		CAMD-300-6L
4,00"	6,339"	2,224"	3,465"	3,583"	4,724"		

EPDM gasket included.

Other diameters and materials available on request.

## CAMLOCK COUPLINGS, TYPE DC MODEL CAMDC



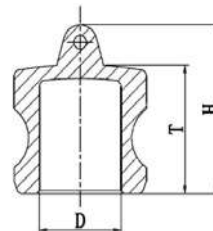
**CAMLOCK**

SIZE	DIMENSIONS as per diagram			SERIES CAMDC Stainless Steel 304	SERIES CAMDC Stainless Steel 316L
OD	T	H	D	PART #	PART #
0,5"	1,299"	1,496"	1,673"		CAMDC-050-6L
0,75"	1,449"	1,811"	2,035"		CAMDC-075-6L
1,00"	1,732"	2,047"	2,362"		CAMDC-100-6L
1,25"	1,969"	2,283"	2,913"		CAMDC-125-6L
1,50"	1,969"	2,283"	3,209"		CAMDC-150-6L
2,00"	2,244"	2,598"	3,622"		CAMDC-200-6L
2,50"	2,343"	2,756"	4,114"		
3,00"	2,441"	2,835"	4,224"		CAMDC-300-6L
4,00"	2,480"	2,953"	6,043"		

EPDM gasket included.

Other diameters and materials available on request.

## CAMLOCK COUPLINGS, TYPE DP MODEL CAMDP

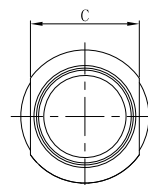
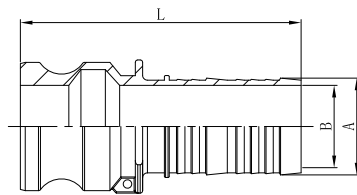


**CAMLOCK**

SIZE	DIMENSIONS as per diagram			SERIES CAMDP Stainless Steel 304	SERIES CAMDP Stainless Steel 316L
OD	T	H	D	PART #	PART #
0,5"	1,083"	1,409"	0,610"		CAMDP-050-6L
0,75"	1,181"	1,496"	0,866"		CAMDP-075-6L
1,00"	1,358"	1,713"	1,024"		CAMDP-100-6L
1,25"	1,673"	2,008"	1,220"		CAMDP-125-6L
1,50"	1,732"	2,028"	1,496"		CAMDP-150-6L
2,00"	1,969"	2,362"	1,870"		CAMDP-200-6L
2,50"	1,969"	2,402"	2,362"		
3,00"	2,228"	2,677"	3,024"		
4,00"	2,303"	2,717"	4,055"		

Other diameters and materials available on request.

## CAMLOCK COUPLINGS, TYPE E, 6 SHANKS MODEL CAME

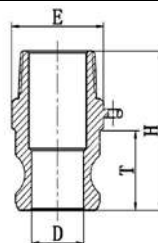


**CAMLOCK**

SIZE	DIMENSIONS as per diagram				SERIES CAME Stainless Steel 304	SERIES CAME Stainless Steel 316L
	OD	A	B	C	L	PART #
0,5"	0,551"	0,335"	0,709"	2,953"		CAME-050-6S-6L
0,75"	0,807"	0,571"	0,945"	3,366"		CAME-075-6S-6L
1,00"	1,063"	0,787"	1,260"	3,976"		CAME-100-6S-6L
1,25"	1,280"	1,043"	1,457"	4,390"		CAME-125-6S-6L
1,50"	1,575"	1,339"	1,772"	4,567"		CAME-150-6S-6L
2,00"	2,067"	1,831"	2,126"	5,394"		CAME-200-6S-6L
2,50"						
3,00"	2,992"	2,736"	3,051"	6,062"		CAME-300-6S-6L
4,00"						

Other diameters and materials available on request.

## CAMLOCK COUPLINGS, TYPE F MODEL CAMF



**CAMLOCK**

SIZE	DIMENSIONS as per diagram				SERIES CAMF Stainless Steel 304	SERIES CAMF Stainless Steel 316L
	OD	E	H	D	T	PART #
0,5"	0,965"	2,008"	0,591"	1,083"		CAMF-050-6L
0,75"	1,260"	2,087"	0,846"	1,299"		CAMF-075-6L
1,00"	1,449"	2,433"	0,984"	1,299"		CAMF-100-6L
1,25"	1,799"	2,835"	1,220"	1,594"		CAMF-125-6L
1,50"	2,126"	2,933"	1,555"	1,614"		CAMF-150-6L
2,00"	2,500"	3,051"	1,909"	1,732"		CAMF-200-6L
2,50"	3,004"	3,524"	2,402"	1,890"		CAMF-250-6L
3,00"	3,583"	3,752"	2,965"	1,969"		CAMF-300-6L
4,00"	4,705"	3,996"	4,055"	2,008"		

Other diameters and materials available on request.

# Sanitary / SS Valves & Related Products

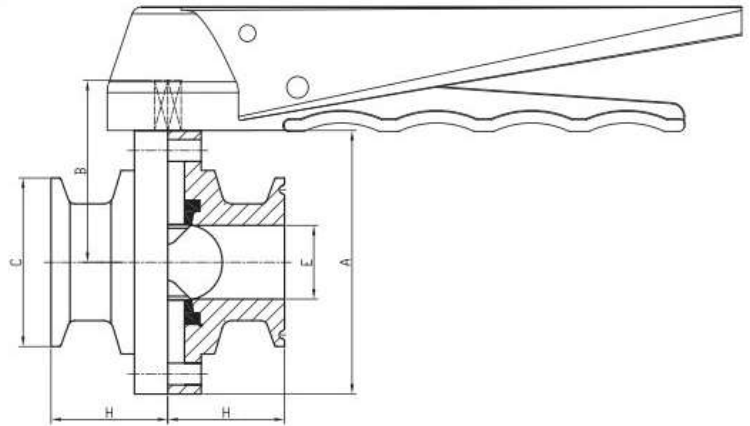


**PITANCO**  
PRECISION

ISO 9001



**BUTTERFLY VALVES, TRI-CLAMP® 10 POSITION LOCKABLE TRIGGER HANDLE, CRN APPROVED  
MODEL BV5101TH**



SIZE	DIMENSIONS AS PER DIAGRAM				
OD	A	B	C	E	H
1,00"	3,110"	1,949"	1,988"	0,870"	1,378"
1,50"	3,346"	2,067"	1,988"	1,370"	1,378"
2,00"	3,937"	2,362"	2,520"	1,870"	1,457"
2,50"	4,528"	2,657"	3,051"	2,370"	1,496"
3,00"	5,000"	2,894"	3,583"	2,870"	1,496"
4,00"	6,142"	3,465"	4,685"	3,843"	1,772"

Other sizes & face to face available on request.

**SERIES # BV5101**  
Stainless Steel 316L

SIZE	EPDM	CLEAR SILICONE	RED SILICONE	FKM (VITON)
OD	PART #	PART #	PART #	PART #
1,00"	BV5101TH-E-10-6	BV5101TH-ST-10-6	BV5101TH-S-10-6	BV5101TH-F-10-6
1,50"	BV5101TH-E-15-6	BV5101TH-ST-15-6	BV5101TH-S-15-6	BV5101TH-F-15-6
2,00"	BV5101TH-E-20-6	BV5101TH-ST-20-6	BV5101TH-S-20-6	BV5101TH-F-20-6
2,50"	BV5101TH-E-25-6	BV5101TH-ST-25-6	BV5101TH-S-25-6	BV5101TH-F-25-6
3,00"	BV5101TH-E-30-6	BV5101TH-ST-30-6	BV5101TH-S-30-6	BV5101TH-F-30-6
4,00"	BV5101TH-E-40-6	BV5101TH-ST-40-6	BV5101TH-S-40-6	BV5101TH-F-40-6

**SPECIFICATIONS**

Information below based on water media at 68°F/20°C.

SIZE	BREAK TORQUE (IN/LB)			PRESSURE RATING (PSI)	FLOW COEFFICIENT (C <sub>v</sub> )	WEIGHT (LB)
	SILICONE	EPDM	FKM			
1.00"	20	75	70	140	23	3,50
1.50"	40	130	125	140	80	3,10
2.00"	55	165	175	140	230	3,90
2.50"	70	210	220	110	264	4,90
3.00"	165	350	310	110	372	5,70
4.00"	350	540	450	85	800	7,80

## SEATS FOR BUTTERFLY VALVE, FDA APPROVED



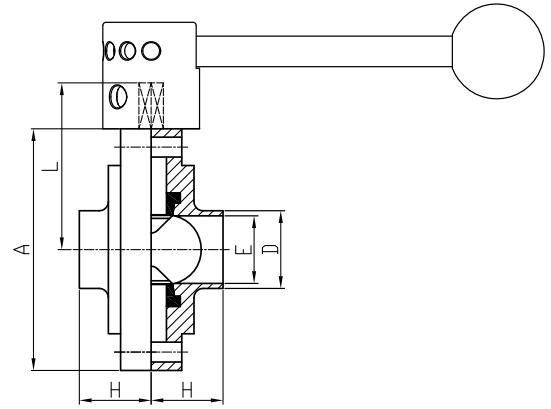
### TEMPERATURE

- EPDM: -40/300°F (-40/149°C)
- Clear et Red silicon: -70/420°F (-56/216°C)
- FKM (viton): -10/700°F (-23/371°C)
- Special Silicone, upon request only: -95/220°F (-70/104°C)

SIZE	EPDM	CLEAR SILICONE	RED SILICONE	FKM (VITON)
OD	PART #	PART #	PART #	PART #
1,00"	SBV-E-100	SBV-ST-100	SBV-S-100	SBV-F-100
1,50"	SBV-E-150	SBV-ST-150	SBV-S-150	SBV-F-150
2,00"	SBV-E-200	SBV-ST-200	SBV-S-200	SBV-F-200
2,50"	SBV-E-250	SBV-ST-250	SBV-S-250	SBV-F-250
3,00"	SBV-E-300	SBV-ST-300	SBV-S-300	SBV-F-300
4,00"	SBV-E-400	SBV-ST-400	SBV-S-400	SBV-F-400

Other diameters available upon request.

**BUTTERFLY VALVES, BUTT WELD, 4 POSITION PULL HANDLE, CRN APPROVED  
MODEL VP5101**



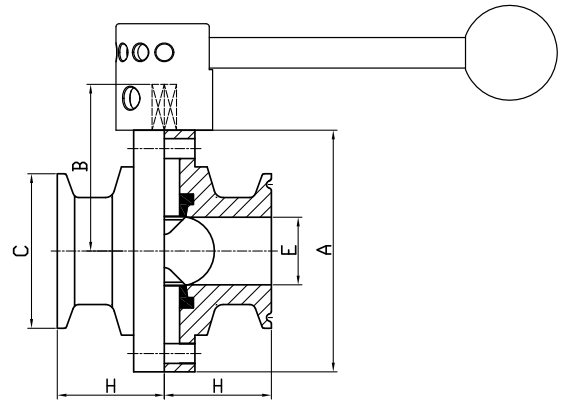
SIZE	DIMENSIONS AS PER DIAGRAM				
OD	A	D	E	L	H
1,00"	3,1102"	1,00"	0,8700"	1,9488"	0,9252"
1,50"	3,3465"	1,50"	1,3700"	2,0669"	0,9252"
2,00"	3,937"	2,00"	1,8700"	2,3622"	1,0236"
2,50"	4,5276"	2,50"	2,3425"	2,6575"	1,0630"
3,00"	5,000"	3,00"	2,8425"	2,8937"	1,1024"
4,00"	6,1417"	4,00"	3,8425"	3,4646"	1,1811"

Other sizes & face to face available on request.

SERIES # VP5101 Stainless Steel 304				
SIZE	EPDM	CLEAR SILICONE	RED SILICONE	FKM (VITON)
OD	PART #	PART #	PART #	PART #
1,00"	VP5101-E-10-4	VP5101-ST-10-4	VP5101-S-10-4	VP5101-F-10-4
1,50"	VP5101-E-15-4	VP5101-ST-15-4	VP5101-S-15-4	VP5101-F-15-4
2,00"	VP5101-E-20-4	VP5101-ST-20-4	VP5101-S-20-4	VP5101-F-20-4
2,50"	VP5101-E-25-4	VP5101-ST-25-4	VP5101-S-25-4	VP5101-F-25-4
3,00"	VP5101-E-30-4	VP5101-ST-30-4	VP5101-S-30-4	VP5101-F-30-4
4,00"	VP5101-E-40-4	VP5101-ST-40-4	VP5101-S-40-4	VP5101-F-40-4

SERIES # VP5101 Stainless Steel 316L				
SIZE	EPDM	CLEAR SILICONE	RED SILICONE	FKM (VITON)
OD	PART #	PART #	PART #	PART #
1,00"	VP5101-E-10-6L	VP5101-ST-10-6L	VP5101-S-10-6L	VP5101-F-10-6L
1,50"	VP5101-E-15-6L	VP5101-ST-15-6L	VP5101-S-15-6L	VP5101-F-15-6L
2,00"	VP5101-E-20-6L	VP5101-ST-20-6L	VP5101-S-20-6L	VP5101-F-20-6L
2,50"	VP5101-E-25-6L	VP5101-ST-25-6L	VP5101-S-25-6L	VP5101-F-25-6L
3,00"	VP5101-E-30-6L	VP5101-ST-30-6L	VP5101-S-30-6L	VP5101-F-30-6L
4,00"	VP5101-E-40-6L	VP5101-ST-40-6L	VP5101-S-40-6L	VP5101-F-40-6L

**BUTTERFLY VALVES, TRI-CLAMP®, 4 POSITION PULL HANDLE, CRN APPROVED  
MODEL VP5101CL**



SIZE	DIMENSIONS AS PER DIAGRAM				
OD	A	B	C	E	H
1,00"	3,1102"	1,9488"	1,9882"	0,8700	1,3780"
1,50"	3,3465"	2,0669"	1,9882"	1,3700	1,3780"
2,00"	3,9370"	2,3622"	2,5197"	1,8700"	1,4567"
2,50"	4,5276"	2,6575"	3,0512"	2,3700"	1,4960"
3,00"	5,000"	2,8937"	3,5827"	2,8700"	1,5354"
4,00"	6,1417"	3,4646"	4,6850"	3,8425"	1,7717"
6,00"	8,4646"	4,6654"	6,5669"	5,7795"	2,4800"

Other sizes & face to face available on request.

**SERIES # VP5101CL**  
Stainless Steel 304

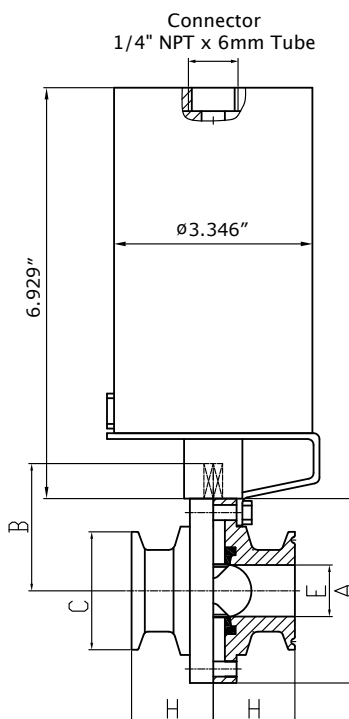
SIZE	EPDM	CLEAR SILICONE	RED SILICONE	FKM (VITON)
OD	PART #	PART #	PART #	PART #
1,00"	VP5101CL-E-10-4	VP5101CL-ST-10-4	VP5101CL-S-10-4	VP5101CL-F-10-4
1,50"	VP5101CL-E-15-4	VP5101CL-ST-15-4	VP5101CL-S-15-4	VP5101CL-F-15-4
2,00"	VP5101CL-E-20-4	VP5101CL-ST-20-4	VP5101CL-S-20-4	VP5101CL-F-20-4
2,50"	VP5101CL-E-25-4	VP5101CL-ST-25-4	VP5101CL-S-25-4	VP5101CL-F-25-4
3,00"	VP5101CL-E-30-4	VP5101CL-ST-30-4	VP5101CL-S-30-4	VP5101CL-F-30-4
4,00"	VP5101CL-E-40-4	VP5101CL-ST-40-4	VP5101CL-S-40-4	VP5101CL-F-40-4

**SERIES # VP5101CL**  
Stainless Steel 316L

SIZE	EPDM	CLEAR SILICONE	RED SILICONE	FKM (VITON)
OD	PART #	PART #	PART #	PART #
1,00"	VP5101CL-E-10-6L	VP5101CL-ST-10-6L	VP5101CL-S-10-6L	VP5101CL-F-10-6L
1,50"	VP5101CL-E-15-6L	VP5101CL-ST-15-6L	VP5101CL-S-15-6L	VP5101CL-F-15-6L
2,00"	VP5101CL-E-20-6L	VP5101CL-ST-20-6L	VP5101CL-S-20-6L	VP5101CL-F-20-6L
2,50"	VP5101CL-E-25-6L	VP5101CL-ST-25-6L	VP5101CL-S-25-6L	VP5101CL-F-25-6L
3,00"	VP5101CL-E-30-6L	VP5101CL-ST-30-6L	VP5101CL-S-30-6L	VP5101CL-F-30-6L
4,00"	VP5101CL-E-40-6L	VP5101CL-ST-40-6L	VP5101CL-S-40-6L	VP5101CL-F-40-6L
6,00"		VP5101CL-ST-60-6L		



**BUTTERFLY VALVES, TRI-CLAMP®, WITH SINGLE ACTING CANISTER TYPE ACTUATOR, CRN APPROVED  
MODEL SU30485SA**



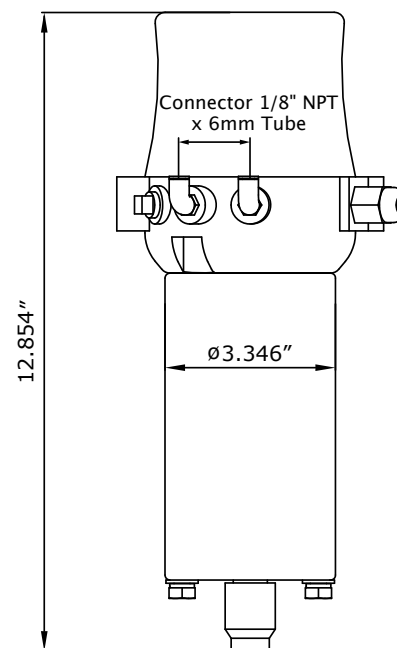
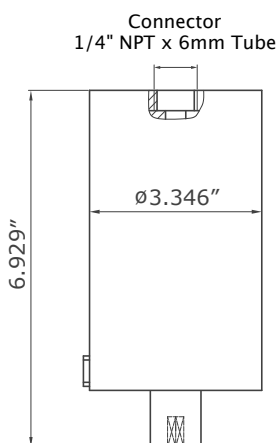
SIZE	DIMENSIONS AS PER DIAGRAM				
OD	A	B	C	E	H
1,00"	3,1102"	1,9488"	1,9882"	0,8700"	1,378"
1,50"	3,3465"	2,0669"	1,9882"	1,3700"	1,378"
2,00"	3,9370"	2,3622"	2,5197"	1,8700"	1,4567"
2,50"	4,5276"	2,6575"	3,0512"	2,3700"	1,4960"
3,00"	5,000"	2,8937"	3,5827"	2,8700"	1,5354"
4,00"	6,1417"	3,4646"	4,6850"	3,8425"	1,7717"

Other sizes & face to face available on request.

**SERIES # BV5101CL/SU30485SA**  
Stainless Steel 316L

SIZE	EPDM	CLEAR SILICONE	RED SILICONE	FKM (VITON)
OD	PART #	PART #	PART #	PART #
1,00"	SU30485SA-10CLE	SU30485SA-10CLST	SU30485SA-10CLS	SU30485SA-10CLF
1,50"	SU30485SA-15CLE	SU30485SA-15CLST	SU30485SA-15CLS	SU30485SA-15CLF
2,00"	SU30485SA-20CLE	SU30485SA-20CLST	SU30485SA-20CLS	SU30485SA-20CLF
2,50"	SU30485SA-25CLE	SU30485SA-25CLST	SU30485SA-25CLS	SU30485SA-25CLF
3,00"	SU30485SA-30CLE	SU30485SA-30CLST	SU30485SA-30CLS	SU30485SA-30CLF
4,00"	SU30485SA-40CLE	SU30485SA-40CLST	SU30485SA-40CLS	SU30485SA-40CLF

## SINGLE ACTING VERTICAL CANISTER ACTUATOR WITH OR WITHOUT POSITIONNER (WITHOUT VALVE)



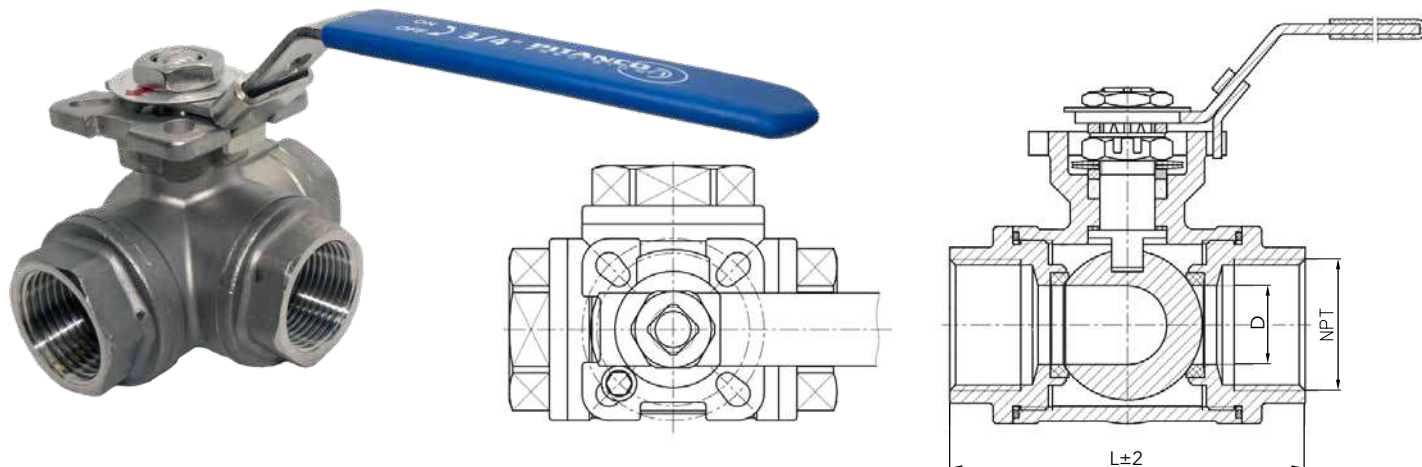
DESCRIPTION	PART #
Single acting canister for valves 1/2" @ 2"	SU304085SA-STYLE1
Single acting canister for valves 2,50" @ 4"	SU304085SA-STYLE2
Single acting canister for valves 1/2" @ 2" with positionner (2 limit switches)	SU304085SA-LS1
Single acting canister for valves 2,50" @ 4" with positionner (2 limit switches)	SU304085SA-LS2

## MOUNTING BRACKET FOR BUTTERFLY VALVE & CANISTER TYPE ACTUATORS



SIZE	Stainless Steel
OD	PART #
1,00"	BR100-4
1,50"	BR150-4
2,00"	BR200-4
2,50"	BR250-4
3,00"	BR300-4
4,00"	BR400-4

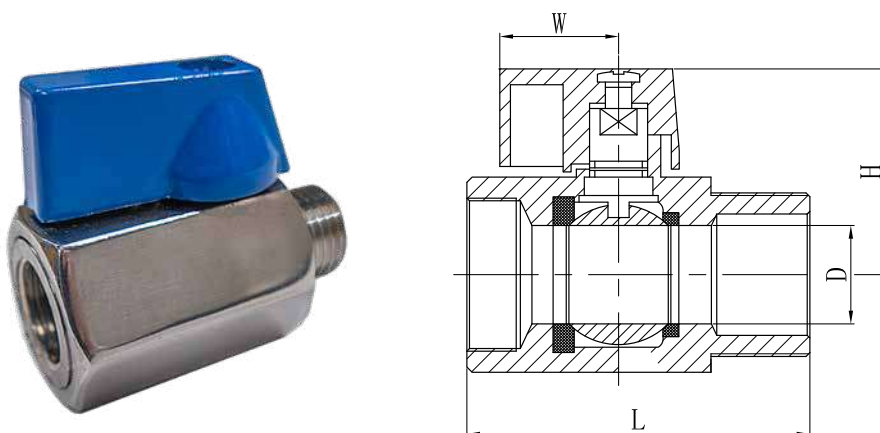
**3 WAY L PORT BALL VALVES, NPT, 1000 WOG, REDUCED PORT, LOCKABLE HANDLE, ISO MOUNT, CRN APPROVED  
MODEL BV3W**



SIZE	DIMENSIONS as per diagram				SERIES # BV3W Stainless Steel 316L
OD	d	L	BREAK TORQUE Inch/lb	ISO 5211	PART #
0,50"	0,3937"	2,7953"	80	F03/F04	BV3W-050-316L
0,75"	0,5906"	3,3071"	100	F04/F05	BV3W-075-316L
1,00"	0,7087"	3,4646"	200	F04/F05	BV3W-100-316L
1,25"	0,9449"	4,6063"	315	F04/F05	BV3W-125-316L
1,50"	1,2598"	5,2559"	400	F05/F07	BV3W-150-316L
2,00"	1,4961"	5,7874"	550	F05/F07	BV3W-200-316L
2,50"	1,9291"	6,5354"	900	F07/F10	BV3W-250-316L
3,00"	2,5590"	9,4094"	1200	F07/F10	BV3W-300-316L

Other thread available on request.

**MINI BALL VALVES, NPTF x NPTM, 1000 WOG, CRN APPROVED  
MODEL MBVSS25**



SIZE	DIMENSIONS as per diagram				SERIES # MBVSS25 Stainless Steel 304	SERIES # MBVSS25 Stainless Steel 316L
OD	L	D	H	W	PART #	PART #
0,25"	1,6535"	0,2756"	1,0236"	0,9055"	MBVSS25-4	MBVSS25-6L

Other thread available on request.

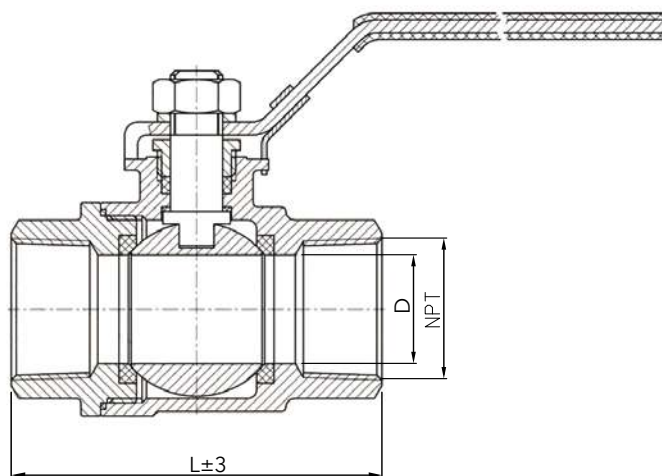
**BALL VALVES, NPT, 1000 WOG, FULL PORT, LOCKABLE HANDLE, CRN APPROVED  
MODEL R600**



**SERIES # R600**



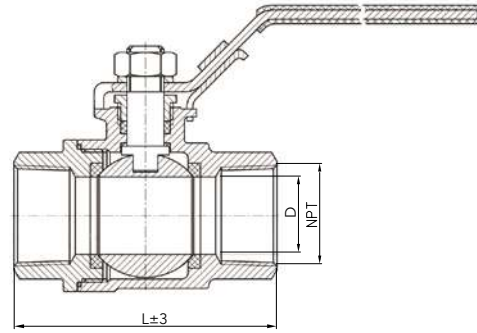
**SERIES # R600HD**



SIZE	DIMENSIONS as per diagram		SERIES # R600 Stainless Steel 304	SERIES # R600HD Stainless Steel 316L – HEAVY DUTY
	OD	D	L	PART #
0,25"	0,3937"	2,1654"	R600-0250-4	R600HD-0250-6L
0,375"	0,4724"	2,1654"	R600-0375-4	R600HD-0375-6L
0,50"	0,5906"	2,1654"	R600-0500-4	R600HD-0500-6L
0,75"	0,7874"	2,4409"	R600-0750-4	R600HD-0750-6L
1,00"	0,9843"	2,9528"	R600-1000-4	R600HD-1000-6L
1,25"	1,2598"	3,3661"	R600-1250-4	R600HD-1250-6L
1,50"	1,4961"	3,8189"	R600-1500-4	R600HD-1500-6L
2,00"	1,9291"	4,2126"	R600-2000-4	R600HD-2000-6L
2,50"	2,5197"	5,6693"	R600-2500-4	R600HD-2500-6L
3,00"	3,1102"	6,6535"	R600-3000-4	R600HD-3000-6L

Other thread available on request.

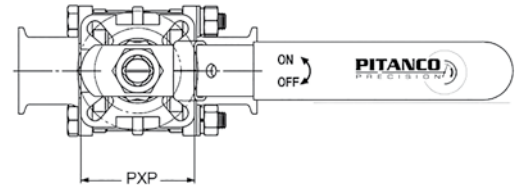
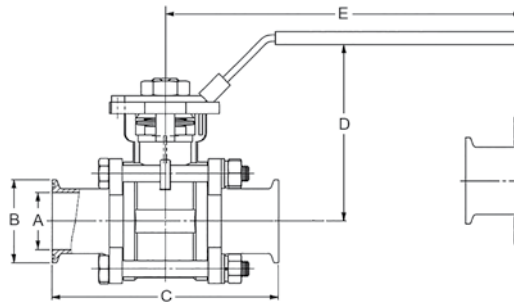
**BALL VALVES, NPT, 2000 WOG, FULL PORT, LOCKABLE HANDLE, CRN APPROVED  
MODEL R602**



SIZE	DIMENSIONS as per diagram		SERIES # R602 Stainless Steel 304	SERIES # R602 Stainless Steel 316L
OD	D	L	PART #	PART #
0,25"	0,3937"	2,1062"	R602-0250-4	R602-0250-6
0,375"	0,4724"	2,1260"	R602-0375-4	R602-0375-6
0,50"	0,5906"	2,9528"	R602-0500-4	R602-0500-6
0,75"	0,7874"	3,1496"	R602-0750-4	R602-0750-6
1,00"	0,9843"	3,5039"	R602-1000-4	R602-1000-6
1,25"	1,2598"	4,252"	R602-1250-4	R602-1250-6
1,50"	1,4961"	4,6850"	R602-1500-4	R602-1500-6
2,00"	1,9291"	5,4724"	R602-2000-4	R602-2000-6
2,50"	2,5590"	6,378"	R602-2500-4	R602-2500-6
3,00"	3,1102"	6,6929"	R602-3000-4	R602-3000-6

Other diameters available upon request.

**BALL VALVES, 3 PIECES, TRI-CLAMP®, ENCAPSULATED, 1,000 WOG, FULL PORT,  
ISO MOUNT, 3A APPROVED, CRN APPROVED  
MODEL R801CL**



SIZE	DIMENSIONS AS PER DIAGRAM							SERIES # R801CL Stainless Steel 316L
OD	A	B	C	D	E	BREAK TORQUE Inch/lb	ISO 5211	PART #
0,50"	0,370"	1,004"	3,563"	2,520"	5,157"	80	F03/F04	R801CL-050-6L
0,75"	0,620"	1,004"	4,071"	2,677"	5,157"	85	F03/F04	R801CL-075-6L
1,00"	0,870"	1,988"	4,496"	3,386"	6,654"	120	F04/F05	R801CL-100-6L
1,50"	1,370"	1,988"	5,382"	4,823"	8,386"	230	F05/F07	R801CL-150-6L
2,00"	1,870"	2,520"	6,031"	4,823"	8,386"	450	F05/F07	R801CL-200-6L
2,50"	2,370"	3,051"	6,587"	5,492"	8,386"	600	F05/F07	R801CL-250-6L
3,00"	2,870"	3,583"	7,571"	6,496"	12,598"	1050	F07/F10	R801CL-300-6L

Other sizes available upon request.

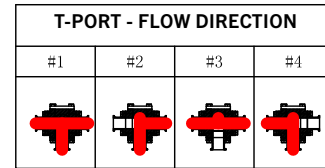
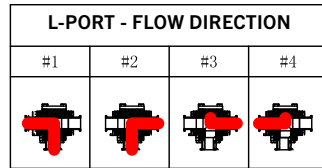
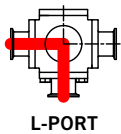
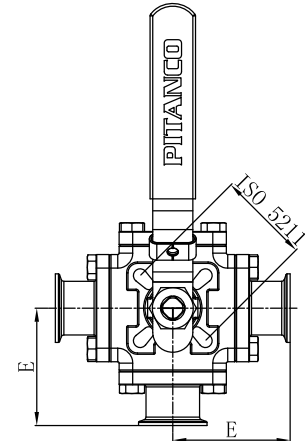
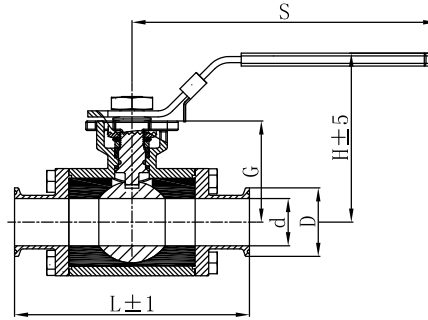
**PTFE (TEFLON) SEATS REPLACEMENT KIT, FDA APPROVED  
MODEL RKR801**



SIZE	FOR BALL VALVE R801CL (ENCAPSULATED)
OD	PART #
0,50"	RKR801-050-PTFE
0,75"	RKR801-075-PTFE
1,00"	RKR801-100-PTFE
1,25"	RKR801-125-PTFE
1,50"	RKR801-150-PTFE
2,00"	RKR801-200-PTFE
3,00"	RKR801-300-PTFE

Other sizes available upon request.

**3 WAY BALL VALVES, TRI-CLAMP®, ENCAPSULATED, 1,000 WOG, T OR L PORT, FULL PORT, LOCKABLE HANDLE, ISO MOUNT, 3A APPROVED, CRN APPROVED MODEL DR801CL**



SIZE	DIMENSIONS AS PER DIAGRAM							SERIES # DR801CL Stainless Steel 316L	
OD	L ±0.5	d ±0.1	D ±0.1	E ±0.5	H ±5	S ±5	BREAK TORQUE Inch/lb	ISO 5211	PART #
0,50"	4,173"	0,370"	0,992"	2,087"	3,504"	6,654"	90	F03/F04	DR801CL-050-6L-(*)
0,75"	4,173"	0,620"	0,992"	2,087"	3,504"	6,654"	100	F03/F04	
1,00"	6,299"	0,870"	1,988"	2,087"	4,016"	6,654"	200	F04/F05	DR801CL-100-6L-(*)
1,50"	7,205"	1,370"	1,988"	2,087"	5,000"	8,386"	410	F05/F07	DR801CL-150-6L-(*)
2,00"	8,504"	1,870"	2,520"	4,252"	5,472"	8,386"	700	F07/F10	DR801CL-200-6L-(*)
2,50"	9,488"	2,370"	3,051"	4,744"	6,524"	8,386"	1300	F07/F10	
3,00"	9,488"	2,870"	3,583"	5,502"	6,693"	12,598"	2200	F10/F12	DR801CL-300-6L-(*)
4,00"	12,756"	3,835"	4,685"	6,378"	7,598"	12,598"	2500	F10/F12	

Other sizes available upon request.

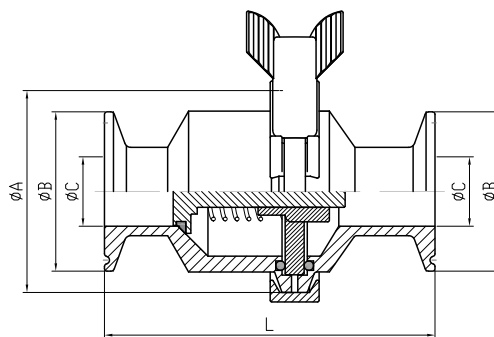
\* = L or T Port.

**PTFE (TEFLON) SEATS REPLACEMENT KIT, FDA APPROVED MODEL RKDR801**

SIZE	FOR BALL VALVE DR801CL (ENCAPSULATED)
OD	PART #
0,50"	RKDR801-050-PTFE
0,75"	
1,00"	RKDR801-100-PTFE
1,50"	RKDR801-150-PTFE
2,00"	RKDR801-200-PTFE
2,50"	
3,00"	RKDR801-300-PTFE

Other sizes available upon request.

**CHECK VALVE, TRI-CLAMP®, POLISHED # 7, 3A APPROVED, WITH EPDM BLACK SEAT  
MODEL CLCV**



**SPECIFICATIONS**

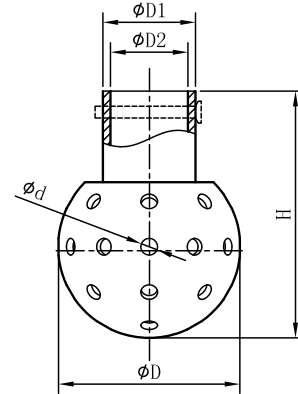
- 15 / 200°F
- 140 PSI maximum
- Black EPDM seat

SIZE		DIMENSIONS as per diagram				SERIES # CLCV Stainless Steel 316L	
OD	A	B	C	L	CRACKING PRESSURE (PSI)	PART #	
0,50"	1,9881"	0,9843"	0,3740"	3,5000"	2,6	CLCV-050-316L	
0,75"	2,5197"	0,9843"	0,6220"	3,5000"	2,6	CLCV-075-316L	
1,00"	2,5197"	1,9882"	0,8700"	4,1260"	3,6	CLCV-100-316L	
1,50"	3,0518"	1,9882"	1,3700"	4,5630"	3,6	CLCV-150-316L	
2,00"	3,5827"	2,5197"	1,8700"	5,0630"	3,6	CLCV-200-316L	
2,50"	4,1732"	3,0512"	2,3740"	5,3740"	3,6	CLCV-250-316L	
3,00"	4,6850"	3,5827"	2,8740"	6,1260"	4,3	CLCV-300-316L	
4,00"	5,6890"	4,6850"	3,8425"	8,1260"	4,3	CLCV-400-316L	
6,00"	8,5433"	6,5669"	5,7795"	10,1575"	4,7	CLCV-600-316L	

Other diameters and seat material available on request.



**FIXED SPRAY BALLS, 180° DOWN, 180° UP OR 360°  
MODEL BSTC**



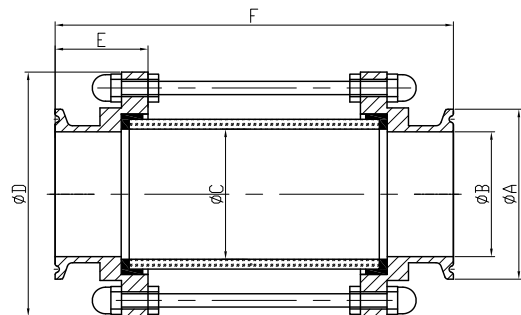
SIZE	SPRAY COVERAGE	DIMENSIONS as per diagram					SERIES # STC Stainless Steel 316L
OD		D	D1	D2	H	d	PART #
1,00"	180° Down	2,078"	1,000"	0,870"	2,598"	0,079"	BSTC-10-180BT-6
1,50"		2,96"	1,500"	1,370"	3,346"	0,087"	BSTC-15-180BT-6
1,00"	180° Up	2,078"	1,000"	0,870"	2,598"	0,079"	BSTC-10-180TOP-6
1,50"		2,96"	1,500"	1,370"	3,346"	0,087"	BSTC-15-180TOP-6
1,00"	360°	2,078"	1,000"	0,870"	2,598"	0,079"	BSTC-10-360-6
1,50"		2,96"	1,500"	1,370"	3,346"	0,087"	BSTC-15-360-6

Other diameters available upon request.

**SIGHT GLASS, TRI-CLAMP®, POLISHED # 7, WITH EPDM BLACK SEAT  
MODEL SG**

**SPECIFICATIONS**

- 5 mm glass
- 200°F maximum
- 87 PSI maximum
- Black EPDM seat



SIZE	DIMENSIONS as per diagram						SERIES # B28W Stainless Steel 316L	REPAIR KIT Includes Borosilicate glass and 2 black EPDM seats
OD	A	B	C	D	E	F	PART #	PART #
1,00"	1,988"	0,870"	0,9449"	3,1102"	1,378"	5,6299"	SG100CL-6L	RKSG-100-EPDM
1,50"	1,988"	1,370"	1,378"	3,3465"	1,378"	5,7480"	SG150CL-6L	RKSG-150-EPDM
2,00"	2,5197"	1,870"	1,9685"	4,1339"	1,4567"	5,9055"	SG200CL-6L	RKSG-200-EPDM
3,00"	3,5827"	2,870"	2,9528"	4,9213"	1,5354"	6,1417"	SG300CL-6L	RKSG-300-EPDM

Other diameters and seat material available on request.

# Tubing and Accessories



**STAINLESS STEEL TUBING, ANNEALED, LENGTH OF 20', 3A APPROVED  
MODEL A270**

**SURFACE FINISH**  
· 32 RA OD / 20 RA ID



TUBE	GAUGE	WALL THICKNESS	SERIES # A270 Stainless Steel 304	SERIES # A270 Stainless Steel 316L
OD			PART #	PART #
0,50"	16	0,065"	A270-050-4**	A270-050-6L**
0,75"	16	0,065"	A270-075-4	A270-075-6L
1,00"	16	0,065"	A270-100-4	A270-100-6L
1,50"	16	0,065"	A270-150-4	A270-150-6L
2,00"	16	0,065"	A270-200-4	A270-200-6L
2,50"	16	0,065"	A270-250-4	A270-250-6L
3,00"	16	0,065"	A270-300-4	A270-300-6L
4,00"	14	0,083"	A270-400-4	A270-400-6L
6,00"	12	0,109"	A270-600-4	
8,00"	12	0,109"	A270-800-4	

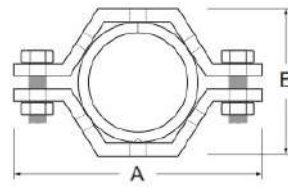
Other diameters available upon request.

\*\*Not-Annealed

**TUBING WEIGHTS & OPERATING PRESSURES**

304 STAINLESS STEEL SIZE				316L STAINLESS STEEL SIZE			
TUBE	WEIGHT PER FOOT (LB)	WORKING PRESSURE (PSI)	BURST PRESSURE (PSI)	TUBE	WEIGHT PER FOOT (LB)	WORKING PRESSURE (PSI)	BURST PRESSURE (PSI)
0,50"	0,30	4870	19500	0,50"	0,30	3250	19500
0,75"	0,48	3250	13000	0,75"	0,48	2167	13000
1,00"	0,66	2440	9800	1,00"	0,66	2280	9100
1,50"	1,00	1630	6500	1,50"	1,00	1520	6100
2,00"	1,35	1220	4900	2,00"	1,35	1140	4600
2,50"	1,70	980	3900	2,50"	1,70	910	3600
3,00"	2,05	810	3300	3,00"	2,05	760	3000
4,00"	3,50	780	3100	4,00"	3,50	730	2900
6,00"	6,92	680	2720	6,00"	6,92	635	2540
8,00"	9,30	477	1907	8,00"	9,30	450	1810

## HEXAGONAL SIZE HANGERS WITH WHITE PVC INSERT MODEL P24PS



**MAXIMUM TEMPERATURE**  
· 230°F / 110°C

TUBE	DIMENSIONS as per diagram		SERIES # P24PS Stainless Steel 304
OD	A	B	PART #
0,50"	2,687"	2,000"	P24PS-0.50
0,75"	2,687"	1,562"	P24PS-0.75
1,00"	3,625"	2,125"	P24PS-1.00
1,50"	4,312"	2,625"	P24PS-1.50
2,00"	4,312"	3,125"	P24PS-2.00
2,50"	4,850"	3,125"	P24PS-2.50
3,00"	5,500"	4,250"	P24PS-3.00
4,00"	7,500"	5,625"	P24PS-4.00
6,00"	9,750"	7,375"	P24PS-6.00
8,00"	11,470"	8,150"	P24PS-8.00

Other diameters available upon request.